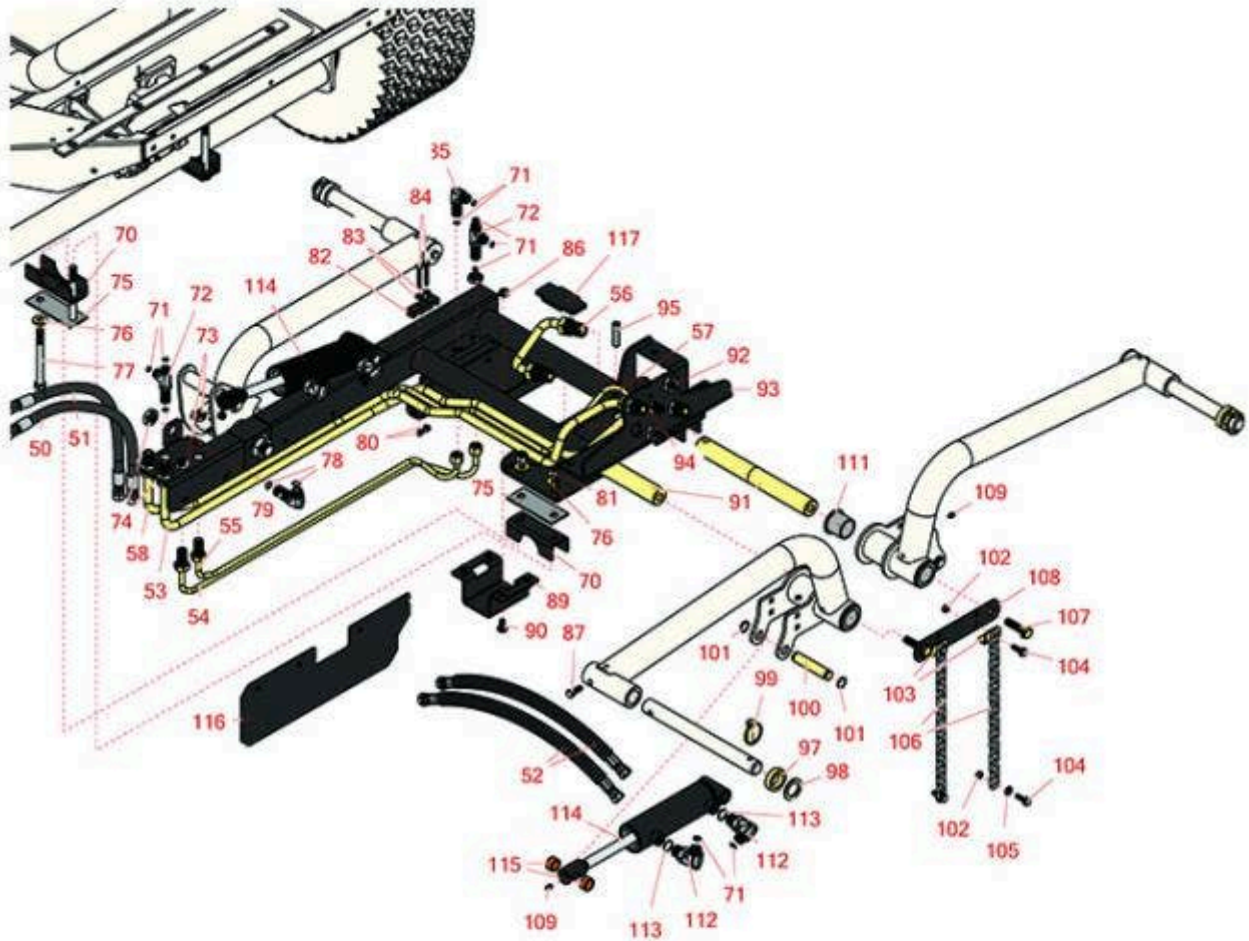




Replaces Toro Reelmaster 3100-D Parts

Traction Unit - Model 03170

Front Carrier



All original equipment manufacturers names and part numbers are used for identification purposes only, and we are in no way implying that our products are original equipment parts. Prices subject to change without notice.



Replaces Toro Reelmaster 3100-D Parts

Traction Unit - Model 03170

Front Carrier



Item No	R&R Part No.	OEM Part No.	Description	Qty Req	Order Quantity
Hoses					
50	R99-3575	99-3575	Hydraulic Hose Assy	1	
51	R99-3579	99-3579	Hydraulic Hose Assy	1	
52	R117-5147	117-5147	Hydraulic Hose Assy	2	
53	R95-8981	95-8981	Tube Assy	1	
54	R95-8983	95-8983	Tube Assy	1	
55	R95-8984	95-8984	Tube Assy	1	
56	R99-3640	99-3640	Tube Assy	1	
57	R95-8982	95-8982	Tube Assy	1	
58	R95-8980	95-8980	Tube Assy	1	
Other Parts Available					
70	R95-8884	95-8884	Clamp	4	
71	R237-22	107-8844, 237-22, 237-78	O-Ring	9	
72	R340-68	340-120, 340-68	Fitting - Tee - Bulkhead	2	
73	R340-70	340-70	Nut - Lock	4	
74	R340-127	340-127	Nut - Bulkhead	3	
75	R99-3373	99-3373	Bar - Support - Slide	4	
76	R87-7270-01	87-7270, 87-7270-01	Washer - Flat 1/2	8	

All original equipment manufacturers names and part numbers are used for identification purposes only, and we are in no way implying that our products are original equipment parts. Prices subject to change without notice.



Replaces Toro Reelmaster 3100-D Parts

Traction Unit - Model 03170

Front Carrier



Item No	R&R Part No.	OEM Part No.	Description	Qty Req	Order Quantity
77	R325-19	01-150-1450, 01-158-1260, 01-178-0840, 20-99-AGD, 325-19	Bolt - Hex HD 1/2-13 x 5	4	
78	R237-30	23-6320, 237-30	O-Ring - Seal	2	
79	R93-9151	93-9151	Hydraulic Fitting	1	
80	R301504	2296-42, 301504, 32127-24, 32128-33, 32146-17, 3296-16, 3296-42, 3296-42 , 915661P	Locknut - ESNA 1/4-20	2	
81	RF5003	32127-29, 32131-5, 32132-5, 3296-23	Locknut - ESNA 1/2-13	4	
82	R93-2509	93-2509	Clamp - Tube	2	
83	R3256-22	24-9-BD, 3-1032, 3256-1, 3256-22, 93-0954, 93-0989	Washer - Flat 1/4 Yellow	2	
84	R3234-34	321-11, 323-12, 3234-34	Bolt - Hex Washer 1/4 x 2	2	
85	R340-154	340-154, 93-9150	Union - Bulkhead	1	
86	R32128-43	30-8990, 32128-43, 3290-357	Nut - Flanged Whiz - 3/8-16	4	

All original equipment manufacturers names and part numbers are used for identification purposes only, and we are in no way implying that our products are original equipment parts. Prices subject to change without notice.



Replaces Toro Reelmaster 3100-D Parts

Traction Unit - Model 03170

Front Carrier



Item No	R&R Part No.	OEM Part No.	Description	Qty Req	Order Quantity
87	R323-6	01-150-0010, 01-178-0608, 20-47-AD, 20-47-AGD, 3224-2, 323-6, 49-3510, 908034P, 908332	Bolt - Hex HD 3/8-16 x 1 GR5 YZ	2	
89	R95-8904-03	95-8904-03	Bracket - Clamp	1	
90	R3234-1	321-11, 3234-1	Bolt - Flanged Serrated Hex HD 3/8-16 x 3/4	4	
91	R95-8531	95-8531	Pivot Shaft	2	
92	R340-74	340-74	Locknut - Bulkhead	4	
93	R100-4930-03	100-4930-03	Carrier Assy	1	
94	R340-78	340-78	Nut - Lock Bulkhead	1	
95	R32121-122	01-153-0140, 32121-122	Pin - Roll 1/2 x 2	2	
97	R63-0070	26-1580, 63-0070	Spacer - 1/2 HOC	2	
98	R3-6781	3-6781	Washer - Thrust - Castor Wheel	2	
99	R283-71	283-71	Pin - Lynch Heavy Duty	2	
100	R95-8575	95-8575	Pin	3	
101	R32120-93	32120-93	Snap Ring - HD	6	
102	R3296-29	1-804256, 3290-357, 3296-29, 915662P	Locknut - 5/16-18 ESNA	4	
103	R99-3550	99-3550	Clip - Link	2	

All original equipment manufacturers names and part numbers are used for identification purposes only, and we are in no way implying that our products are original equipment parts. Prices subject to change without notice.



Replaces Toro Reelmaster 3100-D Parts

Traction Unit - Model 03170

Front Carrier



Item No	R&R Part No.	OEM Part No.	Description	Qty Req	Order Quantity
104	R3234-29	3234-17, 3234-29	Bolt - 5/16-18x1 Serr Hex	4	
105	R453009	01-166-0400, 24-10-BD, 24-9-AD, 32-9650, 3256-2, 3256-23, 3256-3, 3256-67, 3290-217, 3556-3, 4-2390, 7-0152	Washer - Flat 5/16 SAE	2	
106	R98-7981	98-7981	Chain - Link	2	
107	R3234-27	3234-27	Bolt - 1/2-13 x 2 Hex	2	
108	R95-8532-03	95-8532, 95-8532-03	Link - Shaft - Pivot	1	
109	R302-5	21-6010, 302-11, 302-37, 302-47, 302-5, 302-57, 302-58, 302-6, 31-0300, 32-9660, 60-0800, 62-3880, 92-4181	Fitting - Grease	2	
111	R69-6470	69-6470	Bushing - Flanged	4	
112	R340-77	340-100, 340-77, 95-7889	Hydraulic Fitting	2	
113	R237-42	237-42, 31-4160	O-Ring	1	

All original equipment manufacturers names and part numbers are used for identification purposes only, and we are in no way implying that our products are original equipment parts. Prices subject to change without notice.



Replaces Toro Reelmaster 3100-D Parts

Traction Unit - Model 03170

Front Carrier



Item No	R&R Part No.	OEM Part No.	Description	Qty Req	Order Quantity
114	R112-9916	108-9033, 112-9916	Hydraulic Cylinder	2	
115	R75-9590	75-9590	Spacer - Cylinder	2	
116	R104-0453-03	104-0453-03, 95-8591-03	Guard	1	
117	R95-8538	95-8538	Slide-Plastic	1	

All original equipment manufacturers names and part numbers are used for identification purposes only, and we are in no way implying that our products are original equipment parts. Prices subject to change without notice.