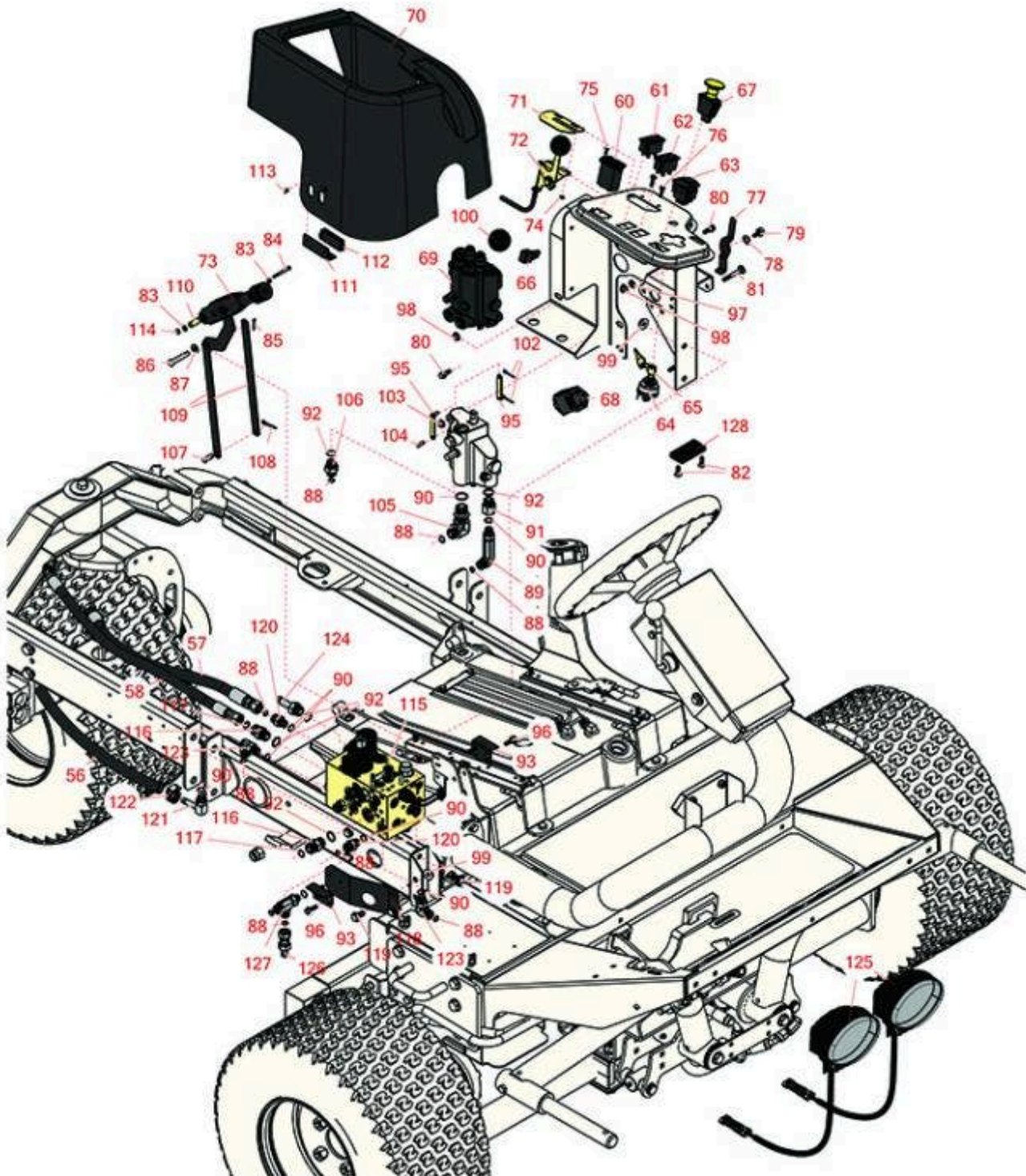




# Replaces Toro Reelmaster 3100-D Parts

*Traction Unit - Model 03171*

*Control Panel, Hyd Valve & Parking Brake*



All original equipment manufacturers names and part numbers are used for identification purposes only, and we are in no way implying that our products are original equipment parts. Prices subject to change without notice.



# Replaces Toro Reelmaster 3100-D Parts

*Traction Unit - Model 03171*

*Control Panel, Hyd Valve & Parking Brake*



| Item No                      | R&R Part No.        | OEM Part No.  | Description                 | Qty Req | Order Quantity |
|------------------------------|---------------------|---|-----------------------------|---------|----------------|
| <b>Hoses</b>                 |                     |   |                             |         |                |
| 56                           | <b>R80-7342</b>     | 80-7342   | Hydraulic Hose Assy         | 1       |                |
| 57                           | <b>R95-8829</b>     | 95-8829   | Hydraulic Hose Assy         | 1       |                |
| 58                           | <b>R106-4197</b>    | 106-4197  | Hydraulic Hose Assy         | 1       |                |
| <b>Gauges and Controls</b>   |                     |   |                             |         |                |
| 60                           | <b>R75-6820</b>     | 75-6820   | Meter - Hour - Quartz       | 1       |                |
| 61                           | <b>R100-8071</b>    | 100-8071  | Lamp - Warning              | 1       |                |
| 62                           | <b>R100-8070</b>    | 100-8070  | Lamp - Warning              | 1       |                |
| 63                           | <b>R95-8999</b>     | 95-8999   | Switch - Headlight          | 1       |                |
| 64                           | <b>R104-2541</b>    | 104-2541,<br>88-9830  | Switch - Key 6 Lead 5/8 Mt. | 1       |                |
| 65                           | <b>R343060</b>      | 218-412,<br>32-8380,<br>33-2010,<br>62-7770,<br>63-8360,<br>94-2618 | Ignition - Key Set/2        | 1       |                |
| 66                           | <b>R100-4918</b>    | 100-4818,<br>100-4918   | Diode                       | 1       |                |
| 68                           | <b>RX1709565660</b> | 98-7611,<br>99-3463,<br>99-7611                                     | Kubota Controller           | 1       |                |
| 67                           | <b>R93-9999</b>     | 93-9999   | Switch - Pto                | 1       |                |
| 69                           | <b>R95-8581</b>     | 95-8581   | Valve- Assy - 2 Spool       | 1       |                |
| <b>Other Parts Available</b> |                     |   |                             |         |                |
| 70                           | <b>R95-8707</b>     | 95-8707   | Cover - Dash                | 1       |                |
| 71                           | <b>R104-0421</b>    | 104-0421  | Plate - Throttle Stop       | 1       |                |

All original equipment manufacturers names and part numbers are used for identification purposes only, and we are in no way implying that our products are original equipment parts. Prices subject to change without notice.



# Replaces Toro Reelmaster 3100-D Parts

*Traction Unit - Model 03171*

*Control Panel, Hyd Valve & Parking Brake*



| Item No | R&R Part No.       | OEM Part No.   | Description                       | Qty Req | Order Quantity |
|---------|--------------------|--|-----------------------------------|---------|----------------|
| 72      | <b>R110-8795</b>   | 110-8759,<br>110-8795  | Cable - Throttle                  | 1       |                |
| 73      | <b>R104-4817</b>   | 104-4817   | Lever - Brake                     | 1       |                |
| 74      | <b>R3290-148</b>   | 3290-148   | Nut - 10-24 Fl Lock               | 2       |                |
| 75      | <b>R32144-18</b>   | 32144-18   | Screw - Hex HD                    | 2       |                |
| 76      | <b>R32105-13</b>   | 32105-13   | Screw - Hx Was HD 10-32 x 3/4     | 2       |                |
| 77      | <b>R99-3401-03</b> | 99-3401,<br>99-3401-03   | Lever - Valve - Lock              | 1       |                |
| 78      | <b>R3290-477</b>   | 108473,<br>3290-477  | Washer - Spring Wave              | 1       |                |
| 79      | <b>R63-3410</b>    | 63-3410  | Screw - Shoulder                  | 1       |                |
| 80      | <b>R42-3560</b>    | 42-3560  | Bolt-Shoulder                     | 2       |                |
| 81      | <b>R3230-33</b>    | 3230-33  | Screw - Carriage                  | 2       |                |
| 82      | <b>R3289-4</b>     | 01-150-1070,<br>01-158-0180,<br>3289-4,<br>99-7334   | 1/4-20 x 3/4 Flathead Skt Cap Scr | 2       |                |
| 83      | <b>R150426</b>     | 3256-21  | Washer - 8 SAE                    | 2       |                |
| 84      | <b>R32105-9</b>    | 32105-9  | Screw                             | 1       |                |
| 85      | <b>R1023-4</b>     | 01-151-0150,<br>1023-4,<br>19-6220,<br>214-14,<br>215-54,<br>28-9-D,<br>3272-4,<br>3272-6,<br>513567,<br>932008P | Pin - Cotter 3/32 x 3/4           | 1       |                |
| 86      | <b>R94-3829</b>    | 94-3829  | Pin - Clevis                      | 1       |                |

All original equipment manufacturers names and part numbers are used for identification purposes only, and we are in no way implying that our products are original equipment parts. Prices subject to change without notice.



# Replaces Toro Reelmaster 3100-D Parts

*Traction Unit - Model 03171*

*Control Panel, Hyd Valve & Parking Brake*



| Item No | R&R Part No.     | OEM Part No.   | Description                          | Qty Req | Order Quantity |
|---------|------------------|--|--------------------------------------|---------|----------------|
| 87      | <b>R453009</b>   | 01-166-0400,<br>24-10-BD,<br>24-9-AD,<br>32-9650,<br>3256-2,<br>3256-23,<br>3256-3,<br>3256-67,<br>3290-217,<br>3556-3,<br>4-2390,<br>7-0152 | Washer - Flat 5/16 SAE               | 1       |                |
| 88      | <b>R237-22</b>   | 107-8844,<br>237-22,<br>237-78   | O-Ring                               | 5       |                |
| 89      | <b>R69-4320</b>  | 69-4320  | Hydraulic Fitting - 90 Deg           | 1       |                |
| 90      | <b>R237-42</b>   | 237-42,<br>31-4160   | O-Ring                               | 4       |                |
| 91      | <b>R353-397</b>  | 353-397  | Reducer - Adapter                    | 1       |                |
| 92      | <b>R237-79</b>   | 237-79   | O-Ring                               | 4       |                |
| 93      | <b>R95-8765</b>  | 95-8765  | Bracket - Magnet Strike              | 2       |                |
| 95      | <b>R95-8634</b>  | 95-8634  | Link                                 | 2       |                |
| 96      | <b>R32144-10</b> | 32140-81,<br>32144-10,<br>32144-3,<br>34-140-AMVD  | Bolt - 1/4-20 x 3/4 Serrated Hx Wshr | 4       |                |
| 97      | <b>R3256-22</b>  | 24-9-BD,<br>3-1032,<br>3256-1,<br>3256-22,<br>93-0954,<br>93-0989  | Washer - Flat 1/4 Yellow             | 1       |                |
| 98      | <b>R32128-32</b> | 32128-32   | Locknut - 1/4-20 Flanged             | 3       |                |

All original equipment manufacturers names and part numbers are used for identification purposes only, and we are in no way implying that our products are original equipment parts. Prices subject to change without notice.



# Replaces Toro Reelmaster 3100-D Parts

*Traction Unit - Model 03171*

*Control Panel, Hyd Valve & Parking Brake*



| Item No | R&R Part No.        | OEM Part No.                                 | Description                           | Qty Req | Order Quantity |
|---------|---------------------|--|---------------------------------------|---------|----------------|
| 99      | <b>R32128-43</b>    | 30-8990,<br>32128-43,<br>3290-357            | Nut - Flanged Whiz - 3/8-16           | 6       |                |
| 100     | <b>R233-42</b>      | 1-603175,<br>120-9752,<br>233-42,<br>233-47  | Knob                                  | 1       |                |
| 102     | <b>R3272-5</b>      | 28-8-D,<br>3272-5                            | Pin-Cotter                            | 2       |                |
| 103     | <b>R32128-33</b>    | 32128-33                                     | Nut - 1/4-20 Flanged Serr             | 2       |                |
| 104     | <b>R58-3830</b>     | 58-3830                                      | Pin - Clevis 3/16 x 3/4               | 2       |                |
| 105     | <b>R340-77</b>      | 340-100,<br>340-77,<br>95-7889               | Hydraulic Fitting                     | 3       |                |
| 106     | <b>R340-3</b>       | 340-3  | Hydraulic Fitting - Adapter Connector | 1       |                |
| 107     | <b>R283-62</b>      | 283-62                                       | Pin - Clevis 5/16 x 3/4               | 1       |                |
| 108     | <b>R3272-10</b>     | 01-151-0120,<br>105-7512,<br>3272-10,<br>N/A | Pin - Cotter 1/8 x 3/4                | 1       |                |
| 109     | <b>R104-4628-03</b> | 104-4628-03                                  | Link - Parking Brake                  | 2       |                |
| 110     | <b>R87-4710</b>     | 87-4710                                      | Spacer - Parking Brake                | 1       |                |
| 111     | <b>R95-8763</b>     | 95-8763                                      | Bracket - Hold Down                   | 2       |                |
| 112     | <b>R58-4250</b>     | 58-4250,<br>99-3497                          | Catch - Magnetic                      | 2       |                |
| 113     | <b>R3269-5</b>      | 3269-5                                       | Rivet - Pop                           | 4       |                |
| 114     | <b>R3296-9</b>      | 32127-17,<br>3296-9                          | Locknut - Comb                        | 1       |                |

All original equipment manufacturers names and part numbers are used for identification purposes only, and we are in no way implying that our products are original equipment parts. Prices subject to change without notice.



# Replaces Toro Reelmaster 3100-D Parts

*Traction Unit - Model 03171*

*Control Panel, Hyd Valve & Parking Brake*



| Item No | R&R Part No.       | OEM Part No.  | Description                                 | Qty Req | Order Quantity |
|---------|--------------------|---|---|---------|----------------|
| 115     | <b>R108-9037</b>   | 104-4841,<br>108-9037                                   | Manifold - Reel Drive                       | 1       |                |
| 116     | <b>R340-4</b>      | 340-4   | Hydraulic Fitting - Male Connector          | 2       |                |
| 117     | <b>R237-30</b>     | 23-6320,<br>237-30                                      | O-Ring - Seal                               | 2       |                |
| 118     | <b>R95-8764-03</b> | 95-8764,<br>95-8764-03                                  | Support - Magnet                            | 1       |                |
| 119     | <b>R3234-1</b>     | 321-11,<br>3234-1                                       | Bolt - Flanged Serrated Hex HD 3/8-16 x 3/4 | 6       |                |
| 120     | <b>R340-2</b>      | 340-2,<br>60-1920                                       | Hydraulic Fitting - Striaght                | 2       |                |
| 121     | <b>R100-4887</b>   | 100-4887  | Fitting-Barb                                | 1       |                |
| 122     | <b>R2412-36</b>    | 2210-87,<br>2412-36,<br>31-9140,<br>93-5818,<br>99-0772 | Clamp - Hose 1/2                            | 2       |                |
| 124     | <b>R354-121</b>    | 354-121,<br>92-1665                                     | Fitting-Straight                            | 1       |                |
| 125     | <b>R151712</b>     | 108-6471,<br>112-9177,<br>94-9024                       | LED Oval Work Light - 12 LED 30w            | 2       |                |
| 126     | <b>R86-5480</b>    | 86-5480,<br>95-0986                                     | Nipple - Test                               | 1       |                |
| 127     | <b>R340-86</b>     | 340-86  | Fitting-Tee                                 | 1       |                |
| 128     | <b>R95-8684</b>    | 95-8684   | Pad-Bumper                                  | 1       |                |

All original equipment manufacturers names and part numbers are used for identification purposes only, and we are in no way implying that our products are original equipment parts. Prices subject to change without notice.