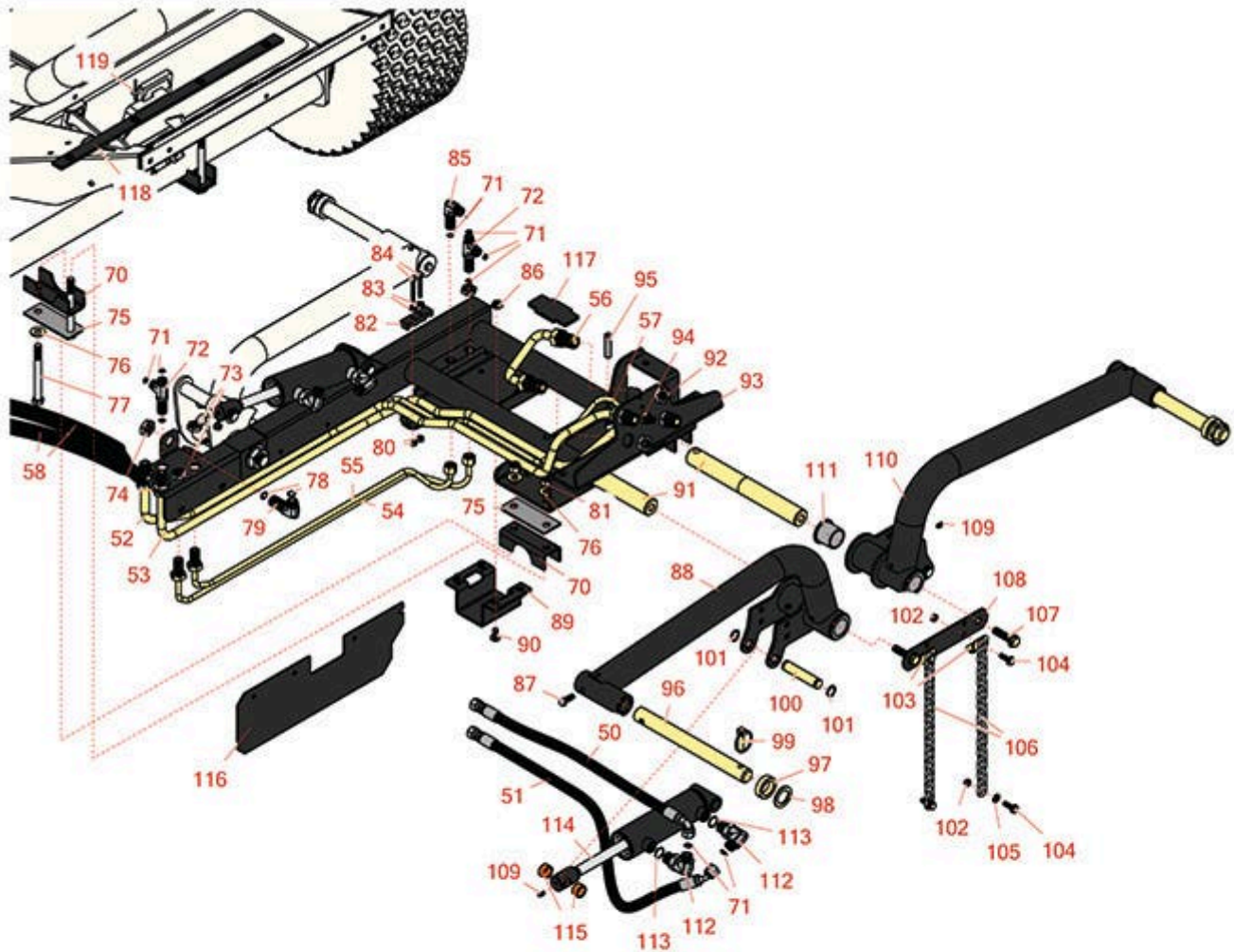




# Replaces Toro Reelmaster 3100-D Parts

*Traction Unit - Model 03200*

*Front Carrier*



All original equipment manufacturers names and part numbers are used for identification purposes only, and we are in no way implying that our products are original equipment parts. Prices subject to change without notice.



# Replaces Toro Reelmaster 3100-D Parts

*Traction Unit - Model 03200*

*Front Carrier*



Item No	R&R Part No.	OEM Part No.	Description	Qty Req	Order Quantity
<b>Hoses</b>					
50	<b>R95-8840</b>	95-8840	Hydraulic Hose Assy	1	
51	<b>R99-3439</b>	99-3439	Hydraulic Hose Assy	1	
52	<b>R95-8980</b>	95-8980	Tube Assy	1	
53	<b>R95-8981</b>	95-8981	Tube Assy	1	
54	<b>R95-8983</b>	95-8983	Tube Assy	1	
55	<b>R95-8984</b>	95-8984	Tube Assy	1	
56	<b>R94-1319</b>	94-1319	Tube - Hyd	1	
57	<b>R95-8982</b>	95-8982	Tube Assy	1	
58	<b>R95-8821</b>	95-8821, 95-8822	Hydraulic Hose Assy	1	
58	<b>R95-8822</b>		Hydraulic Hose Assy	2	
<b>Other Parts Available</b>					
70	<b>R95-8884</b>	95-8884	Clamp	4	
71	<b>R237-22</b>	107-8844, 237-22, 237-78	O-Ring	9	
72	<b>R340-68</b>	340-120, 340-68	Fitting - Tee - Bulkhead	2	
73	<b>R340-70</b>	340-70	Nut - Lock	4	
74	<b>R340-127</b>	340-127	Nut - Bulkhead	3	
75	<b>R99-3373</b>	99-3373	Bar - Support - Slide	4	
76	<b>R87-7270-01</b>	87-7270, 87-7270-01	Washer - Flat 1/2	8	

All original equipment manufacturers names and part numbers are used for identification purposes only, and we are in no way implying that our products are original equipment parts. Prices subject to change without notice.



# Replaces Toro Reelmaster 3100-D Parts

*Traction Unit - Model 03200*

*Front Carrier*



Item No	R&R Part No.	OEM Part No.	Description	Qty Req	Order Quantity
77	<b>R325-19</b>	01-150-1450, 01-158-1260, 01-178-0840, 20-99-AGD, 325-19	Bolt - Hex HD 1/2-13 x 5	4	
78	<b>R237-30</b>	23-6320, 237-30	O-Ring - Seal	2	
79	<b>R93-9151</b>	93-9151	Hydraulic Fitting	1	
80	<b>R301504</b>	2296-42, 301504, 32127-24, 32128-33, 32146-17, 3296-16, 3296-42, 3296-42 , 915661P	Locknut - ESNA 1/4-20	2	
81	<b>RF5003</b>	32127-29, 32131-5, 32132-5, 3296-23	Locknut - ESNA 1/2-13	4	
82	<b>R93-2509</b>	93-2509	Clamp - Tube	2	
83	<b>R3256-22</b>	24-9-BD, 3-1032, 3256-1, 3256-22, 93-0954, 93-0989	Washer - Flat 1/4 Yellow	2	
84	<b>R3234-34</b>	321-11, 323-12, 3234-34	Bolt - Hex Washer 1/4 x 2	2	
85	<b>R340-154</b>	340-154, 93-9150	Union - Bulkhead	1	
86	<b>R32128-43</b>	30-8990, 32128-43, 3290-357	Nut - Flanged Whiz - 3/8-16	4	

All original equipment manufacturers names and part numbers are used for identification purposes only, and we are in no way implying that our products are original equipment parts. Prices subject to change without notice.



# Replaces Toro Reelmaster 3100-D Parts

*Traction Unit - Model 03200*

*Front Carrier*



Item No	R&R Part No.	OEM Part No.	Description	Qty Req	Order Quantity
87	<b>R323-6</b>	01-150-0010, 01-178-0608, 20-47-AD, 20-47-AGD, 3224-2, 323-6, 49-3510, 908034P, 908332	Bolt - Hex HD 3/8-16 x 1 GR5 YZ	2	
88	<b>R115-3466</b>	115-3466, 95-8553, 95-8553-01	Lift Arm Assy - Short RH	1	
89	<b>R95-8904-03</b>	95-8904-03	Bracket - Clamp	1	
90	<b>R3234-1</b>	321-11, 3234-1	Bolt - Flanged Serrated Hex HD 3/8-16 x 3/4	4	
91	<b>R95-8531</b>	95-8531	Pivot Shaft	2	
92	<b>R340-74</b>	340-74	Locknut - Bulkhead	4	
93	<b>R100-4930-03</b>	100-4930-03	Carrier Assy	1	
94	<b>R340-78</b>	340-78	Nut - Lock Bulkhead	1	
95	<b>R32121-122</b>	01-153-0140, 32121-122	Pin - Roll 1/2 x 2	2	
96	<b>R95-8979</b>	95-8979	Shaft - Pivot - 11.687 in Hardened	2	
97	<b>R63-0070</b>	26-1580, 63-0070	Spacer - 1/2 HOC	2	
98	<b>R3-6781</b>	3-6781	Washer - Thrust - Castor Wheel	2	
99	<b>R283-71</b>	283-71	Pin - Lynch Heavy Duty	2	
100	<b>R95-8575</b>	95-8575	Pin	3	
101	<b>R32120-93</b>	32120-93	Snap Ring - HD	6	

All original equipment manufacturers names and part numbers are used for identification purposes only, and we are in no way implying that our products are original equipment parts. Prices subject to change without notice.



# Replaces Toro Reelmaster 3100-D Parts

*Traction Unit - Model 03200*

*Front Carrier*



Item No	R&R Part No.	OEM Part No.	Description	Qty Req	Order Quantity
102	<b>R3296-29</b>	1-804256, 3290-357, 3296-29, 915662P	Locknut - 5/16-18 ESNA	4	
103	<b>R99-3550</b>	99-3550	Clip - Link	2	
104	<b>R3234-29</b>	3234-17, 3234-29	Bolt - 5/16-18x1 Serr Hex	4	
105	<b>R453009</b>	01-166-0400, 24-10-BD, 24-9-AD, 32-9650, 3256-2, 3256-23, 3256-3, 3256-67, 3290-217, 3556-3, 4-2390, 7-0152	Washer - Flat 5/16 SAE	2	
106	<b>R98-7981</b>	98-7981	Chain - Link	2	
107	<b>R3234-27</b>	3234-27	Bolt - 1/2-13 x 2 Hex	2	
108	<b>R95-8532-03</b>	95-8532, 95-8532-03	Link - Shaft - Pivot	1	
109	<b>R302-5</b>	21-6010, 302-11, 302-37, 302-47, 302-5, 302-57, 302-58, 302-6, 31-0300, 32-9660, 60-0800, 62-3880, 92-4181	Fitting - Grease	2	

All original equipment manufacturers names and part numbers are used for identification purposes only, and we are in no way implying that our products are original equipment parts. Prices subject to change without notice.



# Replaces Toro Reelmaster 3100-D Parts

*Traction Unit - Model 03200*

*Front Carrier*



Item No	R&R Part No.	OEM Part No.	Description	Qty Req	Order Quantity
110	<b>R115-3465</b>	115-3465, 95-8554, 95-8554-01	Lift Arm Assy - Short LH	1	
111	<b>R69-6470</b>	69-6470	Bushing - Flanged	4	
112	<b>R340-77</b>	340-100, 340-77, 95-7889	Hydraulic Fitting	2	
113	<b>R237-42</b>	237-42, 31-4160	O-Ring	1	
114	<b>R112-9916</b>	108-9033, 112-9916	Hydraulic Cylinder	1	
115	<b>R75-9590</b>	75-9590	Spacer - Cylinder	2	
116	<b>R104-0453-03</b>	104-0453-03, 95-8591-03	Guard	1	
118	<b>R95-8936</b>	95-8936	Strip - Wear	1	
117	<b>R95-8538</b>	95-8538	Slide-Plastic	1	
119	<b>R3269-18</b>	3269-18	Rivet - Pop 3/16 Large Flange	4	

All original equipment manufacturers names and part numbers are used for identification purposes only, and we are in no way implying that our products are original equipment parts. Prices subject to change without notice.