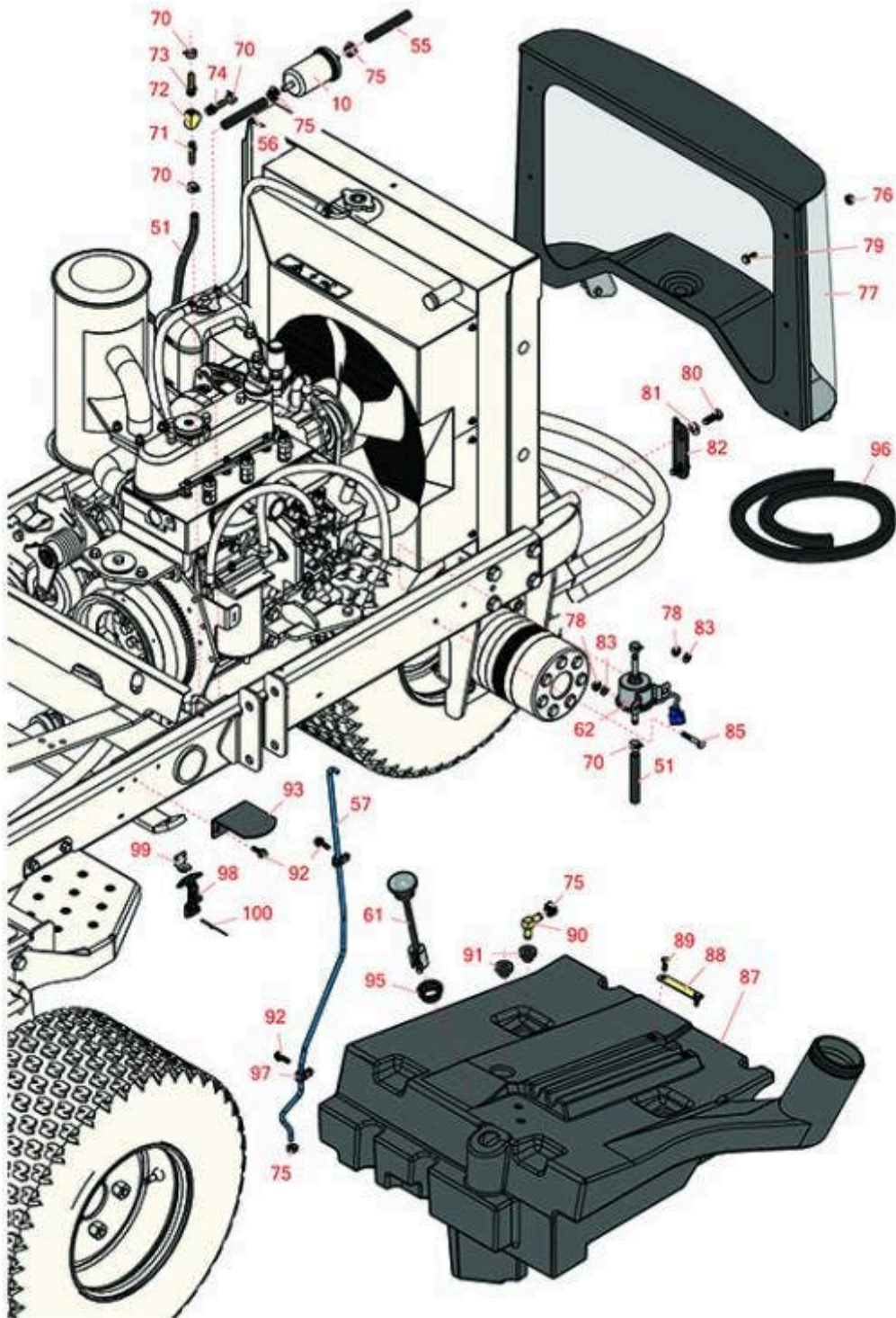




Replaces Toro Reelmaster 3100-D Parts

Traction Unit - Model 03201

Fuel Tank



All original equipment manufacturers names and part numbers are used for identification purposes only, and we are in no way implying that our products are original equipment parts. Prices subject to change without notice.



Replaces Toro Reelmaster 3100-D Parts

Traction Unit - Model 03201

Fuel Tank



Item No	R&R Part No.	OEM Part No.	Description	Qty Req	Order Quantity
10	RX1258143012	108-3828, 98-7612	Kubota Fuel Filter	1	
Filters					
10	RRF10520		SilverGuard Fuel Filter	1	
Hoses					
51	R110-5701	110-5701, 99-3185, 99-7191	Hose-Fuel	1	
55	R110-4110	104-4848, 110-4110, 54-8040	Hose-Fuel	1	
56	R110-6186	110-6186, 71-3383	Hose - Fuel	1	
57	R95-8615	95-8615	Tube-Breather	1	
Gauges and Controls					
61	R95-8971	95-8971	Guage-Fuel	1	
62	RXRC60151350	104-5215, 107-0122, 112-8400, 99-3464	Kubota Fuel Pump - Electric	1	
Other Parts Available					
70	R92-2379	92-2379	Clamp - Hose	5	
71	R304-73	304-73, 307-73, 353-973	Connector-Hose	1	
72	R354-20	354-20	Fitting-Tee	1	
73	R354-21	354-21	Fitting-Barb	1	

All original equipment manufacturers names and part numbers are used for identification purposes only, and we are in no way implying that our products are original equipment parts. Prices subject to change without notice.



Replaces Toro Reelmaster 3100-D Parts

*Traction Unit - Model 03201
Fuel Tank*



Item No	R&R Part No.	OEM Part No.	Description	Qty Req	Order Quantity
74	R354-22	354-22	Fitting-Barb	1	
75	R2412-108	2412-108, 97406	Clamp - Worm - 1/4 - Stainless	5	
76	R301504	2296-42, 301504, 32127-24, 32128-33, 32146-17, 3296-16, 3296-42, 3296-42 , 915661P	Locknut - ESNA 1/4-20	6	
77	R95-8724-03	95-8724, 95-8724-03	Screen - Hood	1	
78	R32128-33	32128-33	Nut - 1/4-20 Flanged Serr	2	
79	R3234-4	3234-4	Bolt - Hx Ser Was HD 1/4-20 x 3/4	6	
80	R323-6	01-150-0010, 01-178-0608, 20-47-AD, 20-47-AGD, 3224-2, 323-6, 49-3510, 908034P, 908332	Bolt - Hex HD 3/8-16 x 1 GR5 YZ	4	

All original equipment manufacturers names and part numbers are used for identification purposes only, and we are in no way implying that our products are original equipment parts. Prices subject to change without notice.



Replaces Toro Reelmaster 3100-D Parts

Traction Unit - Model 03201

Fuel Tank



Item No	R&R Part No.	OEM Part No.	Description	Qty Req	Order Quantity
81	R453011	01-166-0100, 01-166-0120, 01-166-0270, 01-166-0500, 01-166-0600, 01-166-0620, 132-4593, 2356-3, 237-12, 24-10-AD, 24-11-AD, 24-11-BD, 24-12-AD, 24-12-BD, 30-9310, 32-8190, 3256-24, 3256-3, 3256-36, 3256-4, 453011, 47-9950, 48-9220, 513458, 7-0052	Washer - Flat 3/8 SAE Y/Zinc	4	
82	R95-8728	95-8728	Bracket - Hood Pivot	2	
83	R3256-22	24-9-BD, 3-1032, 3256-1, 3256-22, 93-0954, 93-0989	Washer - Flat 1/4 Yellow	2	
85	R400116	20-7-AD, 30-9680, 321-69, 321-9, 3222-3, 400116	Bolt - Hex HD 1/4-20 x 1-1/2	2	
87	R95-8620	95-8620	Tank-Fuel	1	
88	R95-8881	95-8881	Strap - Fuel Line	1	

All original equipment manufacturers names and part numbers are used for identification purposes only, and we are in no way implying that our products are original equipment parts. Prices subject to change without notice.



Replaces Toro Reelmaster 3100-D Parts

Traction Unit - Model 03201

Fuel Tank



Item No	R&R Part No.	OEM Part No.	Description	Qty Req	Order Quantity
89	R321-2	01-150-0200, 01-178-0404, 20-1-AD, 24-2420, 30-4530, 321-2, 32143-9, 513313	Bolt - Hex HD	2	
90	R46-6550	46-6550	Fitting - Elbow 90	2	
91	R46-6560	46-6560	Bushing	2	
92	R32144-10	32140-81, 32144-10, 32144-3, 34-140-AMVD	Bolt - 1/4-20 x 3/4 Serrated Hx Wshr	4	
93	R95-8968-03	95-8968, 95-8968-03	Support-Tank, Fuel	1	
95	R95-8972	95-8972	Grommet	1	
96	R95-8809	95-8809	Trim-Seal	1	
97	R2412-72	2412-72	Clip-Closed, Insul	2	
98	R59-9740	249-39, 59-9740, 60-8660, 60-8670	Flex Draw Latch Assy	2	
99	R249-40	249-40	Keeper - Draw Latch	2	
100	R3290-55	3290-50, 3290-55	Rivet - 5/32 x 3/8 Pop Rivet	8	

All original equipment manufacturers names and part numbers are used for identification purposes only, and we are in no way implying that our products are original equipment parts. Prices subject to change without notice.