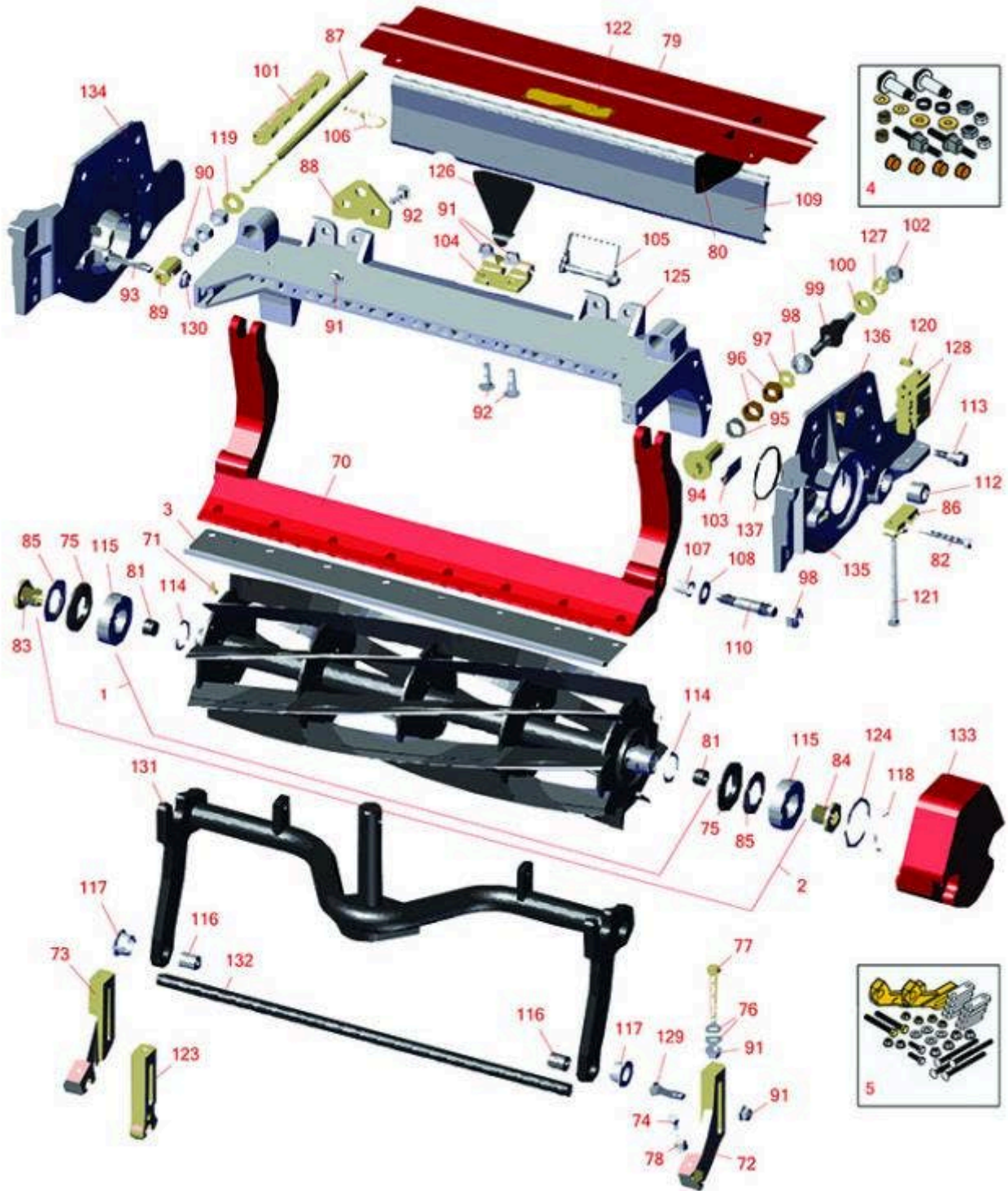




# Replaces Toro Reelmaster 3575-D Parts

DPA Cutting Unit - Models 03638, 03639, 03641 & 03643  
Reel & Bedknife



All original equipment manufacturers names and part numbers are used for identification purposes only, and we are in no way implying that our products are original equipment parts. Prices subject to change without notice.



# Replaces Toro Reelmaster 3575-D Parts

DPA Cutting Unit - Models 03638, 03639, 03641 & 03643  
Reel & Bedknife



| Item No  | R&R Part No.     | OEM Part No. | Description   | Qty Req | Order Quantity |
|--|------------------|--------------|---|---------|----------------|
| <b>R&amp;R Razor Reels, Lifetime Guaranteed</b>  |                  |              |   |         |                |
| 1  | <b>R133-8205</b> | 133-8205     | Reel - 5 Blade Razor Series Radial Low Drag 22x7                              | 1       |                |
| <i>Tech Note: Special high alloy premium steel reel blades &amp; use only with alum endplates:</i> |                  |              |   |         |                |
| 1  | <b>R131-6809</b> | 131-6809     | Reel - 8 Blade Razor Series Forward Swept 22x7                                | 1       |                |
| 1  | <b>R131-6801</b> | 131-6801     | Reel - 11 Blade Razor Series Forward Swept Low Drag 22x7                      | 1       |                |
| <i>Tech Note: Special high alloy premium steel reel blades &amp; use only with alum endplates:</i> |                  |              |   |         |                |
| 2  | <b>R137-8444</b> | 137-8444     | Reel - 5 Blade Razor Series Radial Low Drag w/Bearings and Seals 22x7         | 1       |                |
| <i>Tech Note: Special high alloy premium steel reel blades &amp; use only with alum endplates:</i> |                  |              |   |         |                |
| 2  | <b>R131-6805</b> | 131-6805     | Reel - 8 Blade Razor Series Radial Low Drag w/Bearings and Seals 22x7         | 1       |                |
| <i>Tech Note: Special high alloy premium steel reel blades &amp; use only with alum endplates:</i> |                  |              |   |         |                |
| 2  | <b>R137-8445</b> | 137-8445     | Reel - 8 Blade Razor Series Radial Low Drag w/Bearings and Seals 22x7         | 1       |                |
| <i>Tech Note: Special high alloy premium steel reel blades &amp; use only with alum endplates:</i> |                  |              |   |         |                |
| 2  | <b>R137-8446</b> | 137-8446     | Reel - 8 Blade Razor Series Forward Swept Low Drag w/Bearings and Seals 22x7  | 1       |                |
| <i>Tech Note: Special high alloy premium steel reel blades &amp; use only with alum endplates:</i> |                  |              |   |         |                |
| 2  | <b>R137-8447</b> | 137-8447     | Reel - 11 Blade Razor Series Forward Swept Low Drag w/Bearings and Seals 22x7 | 1       |                |
| <i>Tech Note: Special high alloy premium steel reel blades &amp; use only with alum endplates:</i> |                  |              |   |         |                |

## R&R Bedknives, Lifetime Guaranteed

All original equipment manufacturers names and part numbers are used for identification purposes only, and we are in no way implying that our products are original equipment parts. Prices subject to change without notice.



# Replaces Toro Reelmaster 3575-D Parts

DPA Cutting Unit - Models 03638, 03639, 03641 & 03643  
Reel & Bedknife



| Item No | R&R Part No.     | OEM Part No. | Description                 | Qty Req | Order Quantity |
|---------|------------------|--------------|-----------------------------|---------|----------------|
| 4       | <b>R110-4074</b> | 110-4074     | Bedknife - High Cut         | 1       |                |
| 4       | <b>R108-9096</b> | 108-9096     | Bedknife - Standard         | 1       |                |
| 4       | <b>R110-4084</b> | 110-4084     | Bedknife - Low Cut          | 1       |                |
| 4       | <b>R120-1640</b> | 120-1640     | Bedknife - Low Cut Extended | 1       |                |

## R&R Razor Tool Steel Bedknives, Lifetime Guaranteed

|   |                  |                                    |   |   |  |
|---|------------------|------------------------------------|---|---|--|
| 4 | <b>R108-9095</b> | 108-9095,<br>137-0833              | Bedknife - Razor Tool Steel - 22 High Cut       | 1 |  |
| 4 | <b>R119-4280</b> | 119-4280                           | Bedknife - Razor Tool Steel - 22 x 3/8 Extended | 1 |  |
| 4 | <b>R137-0832</b> | 125-2771,<br>127-7132,<br>137-0832 | Bedknife - Razor Tool Steel 3/8 x 22 Lowcut     | 0 |  |

## Overhaul Kits

|   |                  |          |                               |   |  |
|---|------------------|----------|-------------------------------|---|--|
| 5   | <b>R120-7230</b> | 120-7230 | Overhaul Kit - Fits DPA Units | 1 |  |
| <i>Tech Note: Incl 2 ea.: R108-0015, R115-7039, R119-4155, R120-5116, R120-5118, R120-5120, R3296-33, R3296-48 &amp; 4 ea: R106-5344:</i>                                   |                  |          |                               |   |  |
| 6   | <b>R110-9600</b> | 110-9600 | High HOC Kit                  | 1 |  |
| <i>Tech Note: Includes 1 ea.: R120-0404, R120-0405 &amp; 2 ea: R112-7451, R322-16, R445722 &amp; 4 ea.: R106-9758, R104-8300, R453011, R104-8301 &amp; 8 ea: R106-3925:</i> |                  |          |                               |   |  |

## Other Parts Available

|  |                     |             |                                  |   |  |
|--|---------------------|-------------|----------------------------------|---|--|
| 70                                       | <b>R107-3273-01</b> | 107-3273-01 | Bed Bar - Fits OEM Units Only    | 1 |  |
| 71                                       | <b>R119-4151</b>    | 119-4151    | Screw - Bedknife 5/16-18 x 17/32 | 8 |  |
| 72                                       | <b>R120-0404</b>    | 120-0404    | Bracket- High HOC - LH           | 1 |  |
| <i>Tech Note: Fits 2011 &amp; Newer:</i> |                     |             |                                  |   |  |
| 73                                       | <b>R120-0405</b>    | 120-0405    | Bracket - High HOC - RH          | 1 |  |

All original equipment manufacturers names and part numbers are used for identification purposes only, and we are in no way implying that our products are original equipment parts. Prices subject to change without notice.



# Replaces Toro Reelmaster 3575-D Parts

DPA Cutting Unit - Models 03638, 03639, 03641 & 03643  
Reel & Bedknife



| Item No                                  | R&R Part No.     | OEM Part No.   | Description                   | Qty Req | Order Quantity |
|--|------------------|--|-------------------------------|---------|----------------|
| <i>Tech Note: Fits 2011 &amp; Newer:</i> |                  |  |                               |         |                |
| 74                                       | <b>R322-16</b>   | 322-16,<br>Apr-00  | Bolt - Hex HD 5/16-18 x 1-1/8 | 2       |                |
| 75                                       | <b>R127-4284</b> | 127-4284   | Washer - Special              | 2       |                |
| 76                                       | <b>R453011</b>   | 01-166-0100,<br>01-166-0120,<br>01-166-0270,<br>01-166-0500,<br>01-166-0600,<br>01-166-0620,<br>132-4593,<br>2356-3,<br>237-12,<br>24-10-AD,<br>24-11-AD,<br>24-11-BD,<br>24-12-AD,<br>24-12-BD,<br>30-9310,<br>32-8190,<br>3256-24,<br>3256-3,<br>3256-36,<br>3256-4,<br>453011,<br>47-9950,<br>48-9220,<br>513458,<br>7-0052 | Washer - Flat 3/8 SAE Y/Zinc  | 4       |                |
| 77                                       | <b>R112-7451</b> | 100-9429,<br>112-7451  | Bolt - Hex Tap 3/8-16 x 2-3/4 | 2       |                |
| 78                                       | <b>R445722</b>   | 30-8980,<br>32128-2,<br>32128-20,<br>32128-20 ,<br>445722  | Nut - Serrated Washer         | 2       |                |
| 79                                       | <b>R107-2996</b> | 107-2996   | Grass Shield - Front          | 1       |                |
| 80                                       | <b>R110-1706</b> | 110-1706   | Deflector                     | 5       |                |

All original equipment manufacturers names and part numbers are used for identification purposes only, and we are in no way implying that our products are original equipment parts. Prices subject to change without notice.



# Replaces Toro Reelmaster 3575-D Parts

DPA Cutting Unit - Models 03638, 03639, 03641 & 03643  
Reel & Bedknife



| Item No                             | R&R Part No. | OEM Part No.   | Description                              | Qty Req | Order Quantity |
|-------------------------------------|--------------|--|--|---------|----------------|
| 81                                  | R151064      |  | Plug - Rubber - Fits R&R Reel Shaft Only | 2       |                |
| 82                                  | R107-7773    | 107-7773   | Bolt - Soc HD Cap 5/16-18 x 2-1/2        | 1       |                |
| 83                                  | R127-7109    | 127-7109   | Insert-Threaded - 7 in Reel (RH)         | 1       |                |
| 84                                  | R127-7111    | 127-7111   | Insert-Threaded - 7 in Reel (LH)         | 1       |                |
| 85                                  | R115-3299    | 115-3299   | Seal- Flocked                            | 2       |                |
| 86                                  | R106-3924    | 106-3924   | Bracket - Rear Roller                    | 2       |                |
| 87                                  | R115-2007    | 107-7437,<br>115-2007                                      | Rod - Spring                             | 1       |                |
| 88                                  | R110-4069    | 110-4069   | Bracket                                  | 1       |                |
| 89                                  | R99-8662     | 99-8662  | Tube - Spring                            | 1       |                |
| 90                                  | R443818      | 01-191-0813,<br>3218-18,<br>3218-5,<br>3248-18             | Nut - 1/2-13 Hex Jam Zinc                | 3       |                |
| 91                                  | R104-8301    | 104-8301,<br>104-9301,<br>109-6658,<br>133-7570            | Locknut - 3/8-16 Nylon Flanged           | 8       |                |
| 92                                  | R3231-25     | 01-173-0610,<br>30-9970,<br>3231-25,<br>3231-3,<br>900064P | Bolt - Carriage 3/8-16 x 1-1/4           | 4       |                |
| 93                                  | R104-3396    | 104-3396   | Bolt - Hex HD 3/8-16 x 2-1/4             | 1       |                |
| 94                                  | R120-5118    | 120-5118   | Shaft - Adjuster                         | 2       |                |
| <i>Tech Note: 2012 &amp; Newer:</i> |              |  |  |         |                |
| 95                                  | R120-5116    | 120-5116   | Washer - Wave                            | 2       |                |

All original equipment manufacturers names and part numbers are used for identification purposes only, and we are in no way implying that our products are original equipment parts. Prices subject to change without notice.



# Replaces Toro Reelmaster 3575-D Parts

DPA Cutting Unit - Models 03638, 03639, 03641 & 03643  
Reel & Bedknife



| Item No                         | R&R Part No.     | OEM Part No.                                 | Description                          | Qty Req | Order Quantity |
|---------------------------------|------------------|--|--------------------------------------|---------|----------------|
| 96                              | <b>R106-5344</b> | 106-5344                                     | Bushing - Flanged and Keyed          | 4       |                |
| 97                              | <b>R108-0015</b> | 108-0015                                     | Washer - Flat                        | 2       |                |
| 98                              | <b>R3296-33</b>  | 3296-33                                      | Locknut - 5/8-18 ESNA Jam            | 4       |                |
| <b>Ser# 400000000-405699999</b> |                  |  |                                      |         |                |
| 99                              | <b>R115-7039</b> | 115-7039                                     | Screw - Adjuster - Bedbar            | 2       |                |
| <b>Ser# 405700000-410499999</b> |                  |  |                                      |         |                |
| 99                              | <b>R137-6130</b> | 137-6130                                     | Screw - Adjuster - Hardened - Bedbar | 2       |                |
| 100                             | <b>R119-4155</b> | 119-4155                                     | Washer - Hardened                    | 2       |                |
| 101                             | <b>R110-4079</b> | 110-4079                                     | Spring                               | 1       |                |
| 102                             | <b>R3296-48</b>  | 119-4039,<br>32146-7,<br>3296-34,<br>3296-48 | Locknut - 7/16-14 ESNA               | 2       |                |
| 103                             | <b>R99-2097</b>  | 99-2097                                      | Detent - Bed Bar Adjuster            | 2       |                |
| 104                             | <b>R110-4058</b> | 110-4058                                     | Bracket - Chain                      | 1       |                |
| 105                             | <b>R107-7400</b> | 107-7400                                     | Pin - Lynch                          | 1       |                |
| 106                             | <b>R92-2762</b>  | 92-2762                                      | Pin - Snap                           | 1       |                |
| 107                             | <b>R56-9520</b>  | 56-9520                                      | Bushing - Nylon                      | 2       |                |
| 108                             | <b>R61-1950</b>  | 61-1950                                      | Washer - Nylon - Bed Bar             | 4       |                |
| 109                             | <b>R125-1978</b> | 125-1978                                     | Grass Shield - Rear                  | 1       |                |
| 110                             | <b>R106-9623</b> | 106-9623                                     | Bolt - Bedbar                        | 2       |                |
| 112                             | <b>R106-9618</b> | 106-9618                                     | Bushing - Rubber                     | 2       |                |
| 113                             | <b>R107-2979</b> | 107-2979                                     | Bolt - Shoulder                      | 4       |                |

All original equipment manufacturers names and part numbers are used for identification purposes only, and we are in no way implying that our products are original equipment parts. Prices subject to change without notice.



# Replaces Toro Reelmaster 3575-D Parts

DPA Cutting Unit - Models 03638, 03639, 03641 & 03643  
Reel & Bedknife



| Item No                                  | R&R Part No.        | OEM Part No.                        | Description                      | Qty Req | Order Quantity |
|--|---------------------|-------------------------------------|----------------------------------|---------|----------------|
| 114                                      | <b>R92-2601</b>     | 92-2601                             | Snap Ring                        | 2       |                |
| <b>Ser# 400000000-410499999</b>          |                     |                                     |                                  |         |                |
| 115                                      | <b>R115-3296</b>    | 115-3296                            | Bearing                          | 2       |                |
| <b>Ser# 407900000-410499999</b>          |                     |                                     |                                  |         |                |
| 115                                      | <b>R140-5510</b>    | 140-5510                            | Bearing - Sealed Stainless       | 2       |                |
| 116                                      | <b>R108-4279</b>    | 108-4279                            | Spacer - Frame                   | 2       |                |
| 117                                      | <b>R93-2877</b>     | 93-2877                             | Bushing - Flanged                | 2       |                |
| 118                                      | <b>R237-68</b>      | 237-68                              | O-Ring                           | 2       |                |
| 119                                      | <b>R87-7270-01</b>  | 87-7270,<br>87-7270-01              | Washer - Flat 1/2                | 1       |                |
| 120                                      | <b>R104-8300</b>    | 104-8300,<br>104-8300 ,<br>119-4041 | Locknut - 5/16-18 Flanged Y/Zinc | 4       |                |
| 121                                      | <b>R3230-30</b>     | 3230-30                             | Bolt - Carriage 5/16x4 1/2       | 4       |                |
| 122                                      | <b>R93-6688</b>     | 93-6688                             | Decal - Warning                  | 1       |                |
| 123                                      | <b>R125-2796</b>    | 125-2796                            | Bracket- Front HOC               | 2       |                |
| <i>Tech Note: Fits 2013 &amp; Newer:</i> |                     |                                     |                                  |         |                |
| 124                                      | <b>R105-5700</b>    | 105-5700,<br>115-5258               | Wave Washer - Bearing            | 2       |                |
| 125                                      | <b>R107-3258</b>    | 107-3258                            | Frame                            | 1       |                |
| 126                                      | <b>R110-4088-03</b> | 110-4088-03,<br>119-8010-03         | Kickstand                        | 1       |                |
| 127                                      | <b>R120-5120</b>    | 120-5120                            | Spring - Compression             | 2       |                |
| 128                                      | <b>R119-0626</b>    | 119-0626                            | Shim - Roller - 1/4 in - Slotted | 8       |                |

All original equipment manufacturers names and part numbers are used for identification purposes only, and we are in no way implying that our products are original equipment parts. Prices subject to change without notice.





## Replaces Toro Reelmaster 3575-D Parts

*DPA Cutting Unit - Models 03638, 03639, 03641 & 03643  
Reel & Bedknife*



| Item No | R&R Part No.        | OEM Part No.                           | Description                        | Qty Req | Order Quantity |
|---------|---------------------|--|------------------------------------|---------|----------------|
| 129     | <b>R3231-4</b>      | 01-157-0440,<br>01-173-0612,<br>3231-4 | Bolt - Carriage 3/8-16 x 1-1/2     | 2       |                |
| 130     | <b>R32128-43</b>    | 30-8990,<br>32128-43,<br>3290-357      | Nut - Flanged Whiz - 3/8-16        | 2       |                |
| 131     | <b>R107-7433</b>    | 107-7433                               | Carrier Frame Assy                 | 1       |                |
| 132     | <b>R108-4284</b>    | 108-4284                               | Shaft - Support                    | 1       |                |
| 133     | <b>R108-4269-01</b> | 108-4269-01                            | Weight                             | 1       |                |
| 134     | <b>R137-5967</b>    | 137-5967                               | Side Plate Assy - 7 in RH Aluminum | 1       |                |
| 135     | <b>R137-5963</b>    | 137-5963,<br>137-5967                  | Side Plate Assy - 7 in LH Aluminum | 1       |                |
| 136     | <b>R170714</b>      | 302-34,<br>302-39,<br>62-3520          | Fitting - Pressure Relief          | 2       |                |
| 137     | <b>R117-8177</b>    | 117-8177                               | O-Ring                             | 2       |                |

All original equipment manufacturers names and part numbers are used for identification purposes only, and we are in no way implying that our products are original equipment parts. Prices subject to change without notice.