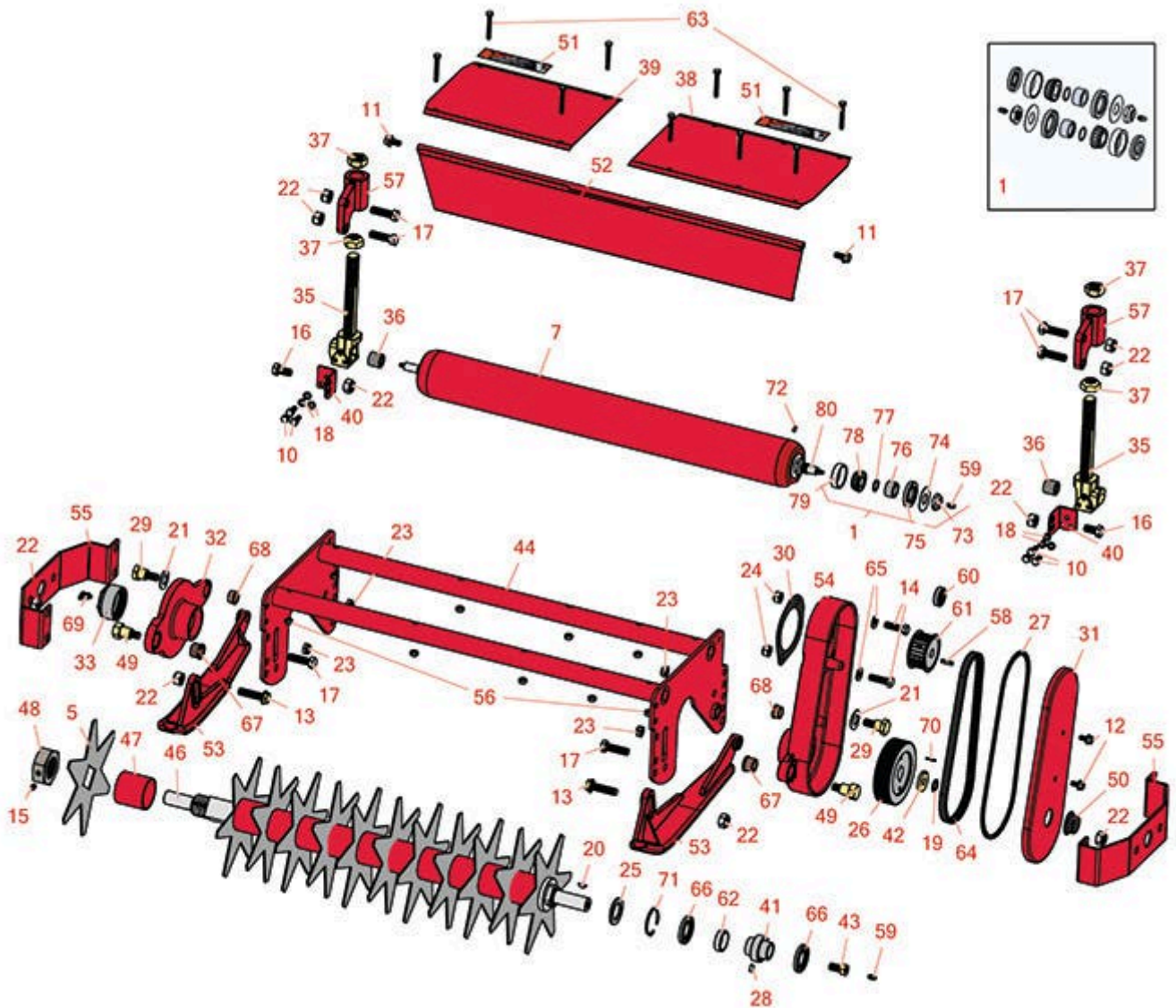




Replaces Toro Reelmaster 4500D Parts

Verti-Cut Unit

Verti-Cut Reel & Frame



All original equipment manufacturers names and part numbers are used for identification purposes only, and we are in no way implying that our products are original equipment parts. Prices subject to change without notice.



Replaces Toro Reelmaster 4500D Parts

Verti-Cut Unit

Verti-Cut Reel & Frame



Item No	R&R Part No.	OEM Part No.	Description	Qty Req	Order Quantity
---------	--------------	--------------	-------------	---------	----------------

Overhaul Kits

1	R100160		Overhaul Kit - Roller	1	
---	----------------	--	-----------------------	---	--

Tech Note: Includes 2 ea.: R150504 Washers, R237-54 O-rings, R253-117 Seals, R253-122 Seals, R254-78 Bearing, R254-79 Bearing Cups, R302-5 Grease Fittings, R3296-15 Locknuts, & R59-5690 Wear Sleeves:

Verti-Cut Blades

5	R59-6280	59-6280	Verti-Cut Blade - 9 x .1875	12	
---	-----------------	---------	-----------------------------	----	--

5	R150575		Verti-Cut Blade - 9 x .1250 with Carbide Tip	12	
---	----------------	--	--	----	--

5	R150570	01-283-0470, 82-3070, 82-3070-03	Verti-Cut Blade - 9 x .1094	12	
---	----------------	--	-----------------------------	----	--

R&R Rollers

7	R59-5630	59-5630	Roller - Smooth Tubular Steel	1	
---	-----------------	---------	-------------------------------	---	--

Tech Note: Constructed with a through shaft, this heavy duty roller uses greasable tapered bearings for extended life.:

Other Parts Available

10	R400184	322-2, 322-3	Screw - 5/16-18 x 3/4 Hex	6	
----	----------------	-----------------	---------------------------	---	--

11	R3234-12	3234-12	Bolt - Hex Serrated Washer HD	2	
----	-----------------	---------	-------------------------------	---	--

12	R3234-14	3234-14, 3234-23	Bolt - Hex Serrated Washer HD	2	
----	-----------------	---------------------	-------------------------------	---	--

13	R3234-27	3234-27	Bolt - 1/2-13 x 2 Hex	2	
----	-----------------	---------	-----------------------	---	--

14	R324-6	01-150-1690, 01-178-0712, 20-68-AGD, 3225-3, 324-6	Bolt - Hex HD 7/16-14 x 1-1/2	2	
----	---------------	--	-------------------------------	---	--

All original equipment manufacturers names and part numbers are used for identification purposes only, and we are in no way implying that our products are original equipment parts. Prices subject to change without notice.



Replaces Toro Reelmaster 4500D Parts

Verti-Cut Unit

Verti-Cut Reel & Frame



Item No	R&R Part No.	OEM Part No.	Description	Qty Req	Order Quantity
15	R3246-17	3246-17, 48-7480	Screw - Set 5/16-24 x 1/2	1	
16	R325-4	01-150-0280, 01-178-0806, 01-178-0808, 20-85-AD, 20-85-AGD, 325-1, 325-2, 325-4	Bolt - Hex HD 1/2-13 x 1	2	
17	R325-7	01-150-0380, 01-178-0814, 3226-3, 325-7, 48-9490	Bolt - 1/2-13 x 1 3/4 Hex HD Gr 5	6	
18	R3253-4	01-166-0110, 01-166-0510, 23-10-GD, 24-7170, 30-8520, 3253-4, 42-9850, 48-9350, 48-9360, 48-9570, 68-9420, 99-7577	Washer - Lock 5/16 Zinc	6	
19	R3254-4	21-3890, 26-8050, 3254-4	Washer - Lock 1/2 Z Int Star	1	
20	R3257-3	3257-3	Key - Woodruff	1	
21	R3290-440	3290-440	Washer - Belleville	2	

All original equipment manufacturers names and part numbers are used for identification purposes only, and we are in no way implying that our products are original equipment parts. Prices subject to change without notice.



Replaces Toro Reelmaster 4500D Parts

Verti-Cut Unit

Verti-Cut Reel & Frame



Item No	R&R Part No.	OEM Part No.	Description	Qty Req	Order Quantity
22	R3296-25	30-3380, 32127-21, 32127-31, 3290-160, 3290-33, 3296-13, 3296-25, 3296-45, 329645	Locknut - 1/2-13 Heavy ESNA	8	
23	R3296-28	119-4154, 140-9234, 32127-34, 32128-7, 32128-8, 32136-7, 3296-28	Nut - 1/2-20 ESNA Jam	4	
24	R3296-48	119-4039, 32146-7, 3296-34, 3296-48	Locknut - 7/16-14 ESNA	2	
25	R38-7330	38-7330	Shield - Grass	2	
26	R47-7140	47-7140	Pulley - Driven Timing Belt	1	
27	R47-7170	47-7170	Gasket - Cover	1	
28	R48-8880	48-8880	Pin - Reel Bearing	2	
29	R48-9020	48-9020	Bolt - Shoulder 1/2-20	2	
30	R48-9050	48-9050	Plate - Drive	1	
31	R48-9071	48-9071	Cover - RH Drive V-Cut	1	
31	R48-9081	48-9081	Cover - Drive LH V-Cut	1	
<i>Tech Note: (Shown):</i>					
32	R59-5550	59-5550	Housing - Bearing	1	
33	R59-5560	59-5560	Cap - Dust	1	

All original equipment manufacturers names and part numbers are used for identification purposes only, and we are in no way implying that our products are original equipment parts. Prices subject to change without notice.



Replaces Toro Reelmaster 4500D Parts

Verti-Cut Unit

Verti-Cut Reel & Frame



Item No	R&R Part No.	OEM Part No.	Description	Qty Req	Order Quantity
35	R84-6100	59-5700, 84-6100	Bracket - Roller w/Rubber Bushing	2	
36	R59-5780	59-5780	Bushing - Roller Bracket	2	
37	R59-5820	59-5820	Nut - Cone Roller Adj Bkt	4	
38	R59-5830	59-5830, 59-5830-01	Cover - Inner Grass Shield	1	
39	R59-5840	59-5840	Cover - Outer Grass Shield	1	
40	R59-6000	59-6000	Bracket - Skid RH	1	
40	R59-6010	59-6010	Bracket - Skid LH	1	
41	R59-6140	251-298, 48-8860, 59-6140	Bearing - Reel	2	
42	R59-6150	59-6150	Washer - Reel Pulley	1	
43	R59-6190	59-6190	Bolt - Reel Special	1	
44	R59-6250	59-6250	Frame - Verti-Cut	1	
46	R59-6290	59-6290	Shaft - V-Cut w/Stop	1	
47	R59-6320	59-6320	Spacer - V-Cut Shaft 2 1/4	11	
48	R59-6330	59-6330	Nut - V-Cut Shaft	1	
49	R59-6340	59-6340	Bolt - Shoulder	2	
50	R59-7490	59-7490	Caplug	1	
51	R59-7790	59-7790	Decal	1	
52	R75-7680	51-1600, 52-9660, 75-7680, 75-7680-01	Deflector	1	

All original equipment manufacturers names and part numbers are used for identification purposes only, and we are in no way implying that our products are original equipment parts. Prices subject to change without notice.



Replaces Toro Reelmaster 4500D Parts

Verti-Cut Unit

Verti-Cut Reel & Frame



Item No	R&R Part No.	OEM Part No.	Description	Qty Req	Order Quantity
53	R84-0810	59-5990, 84-0810	Skid - LH	1	
53	R84-0820	59-5980, 84-0820	Skid - RH	1	
54	R62-6470	59-5510, 62-6470	Housing - Drive RH	1	
54	R62-6480	59-5530, 62-6480	Housing - Drive LH	1	
<i>Tech Note: (Shown):</i>					
55	R72-0470	72-0470	Guard	2	
56	R301504	2296-42, 301504, 32127-24, 32128-33, 32146-17, 3296-16, 3296-42, 3296-42 , 915661P	Locknut - ESNA 1/4-20	10	
57	R59-5770	59-5770	Bracket - Rear Roller	2	
58	R47-2380	47-2380	Key - Drive Pulley	1	
59	R302-5	21-6010, 302-11, 302-37, 302-47, 302-5, 302-57, 302-58, 302-6, 31-0300, 32-9660, 60-0800, 62-3880, 92-4181	Fitting - Grease	1	

All original equipment manufacturers names and part numbers are used for identification purposes only, and we are in no way implying that our products are original equipment parts. Prices subject to change without notice.



Replaces Toro Reelmaster 4500D Parts

Verti-Cut Unit

Verti-Cut Reel & Frame



Item No	R&R Part No.	OEM Part No.	Description	Qty Req	Order Quantity
60	R66-5710	117-8976, 66-5710	Seal - Hyd Motor Shaft	1	
61	R47-7150	47-7150	Pulley - Belt Drive	1	
62	R92-9251	92-9251	Sleeve - Wear Reel Bearing	0	
63	R3234-34	321-11, 323-12, 3234-34	Bolt - Hex Washer 1/4 x 2	8	
64	R150520	47-7160	Belt - Cutting Unit	1	
65	R187-0	3256-25, 7-0032	Washer - Flat 7/16 SAE	1	
66	R253-145	253-145	Seal - Oil Reel Assy	3	
66	R93-1414	93-1414	Seal - Oil Reel Assy	3	
67	R256-113	256-113	Bushing - 3/4 ID x 1 1/8 Flange	2	
68	R256-252	256-252	Bushing - 3/4 ID x 1 Flange	2	
69	R302-40	302-13, 302-40	Fitting - Grease	2	
70	R32121-50	32121-50	Pin - Roll Spiral Lock 1/8 1147	1	
71	R32151-71	32151-71	Ring - Snap Reel Brg	1	
72	R150503		Pin - Drive Roller End	2	
73	R3296-15	116-7306, 32118-5, 32127-23, 32127-47, 3296-15	Locknut - 3/4-16 Nylon Jam	2	
74	R150504	66-5620	Washer	2	
75	R253-122	253-122, 30-0640	Seal	2	

All original equipment manufacturers names and part numbers are used for identification purposes only, and we are in no way implying that our products are original equipment parts. Prices subject to change without notice.



Replaces Toro Reelmaster 4500D Parts

Verti-Cut Unit

Verti-Cut Reel & Frame



Item No	R&R Part No.	OEM Part No.	Description	Qty Req	Order Quantity
76	R59-5690	59-5690	Sleeve - Wear	2	
77	R237-54	237-35, 237-46, 237-54, 253-35, 353-308	O-Ring - Small	2	
78	R254-78	01-102-0060, 01-102-0130, 1-633585, 254-78, 32-7790, 32-9580, 93-4813	Tapered Bearing Cone	2	
79	R254-79	01-103-0060, 01-103-0130, 1-633584, 252-106, 254-79, 32-7800, 32-9590	Cup - Bearing	2	
<i>Tech Note: Use R254-79M installation mandrel to properly install race.:</i>					
80	R59-5670	59-5670	Shaft - Rear Roller	1	

All original equipment manufacturers names and part numbers are used for identification purposes only, and we are in no way implying that our products are original equipment parts. Prices subject to change without notice.