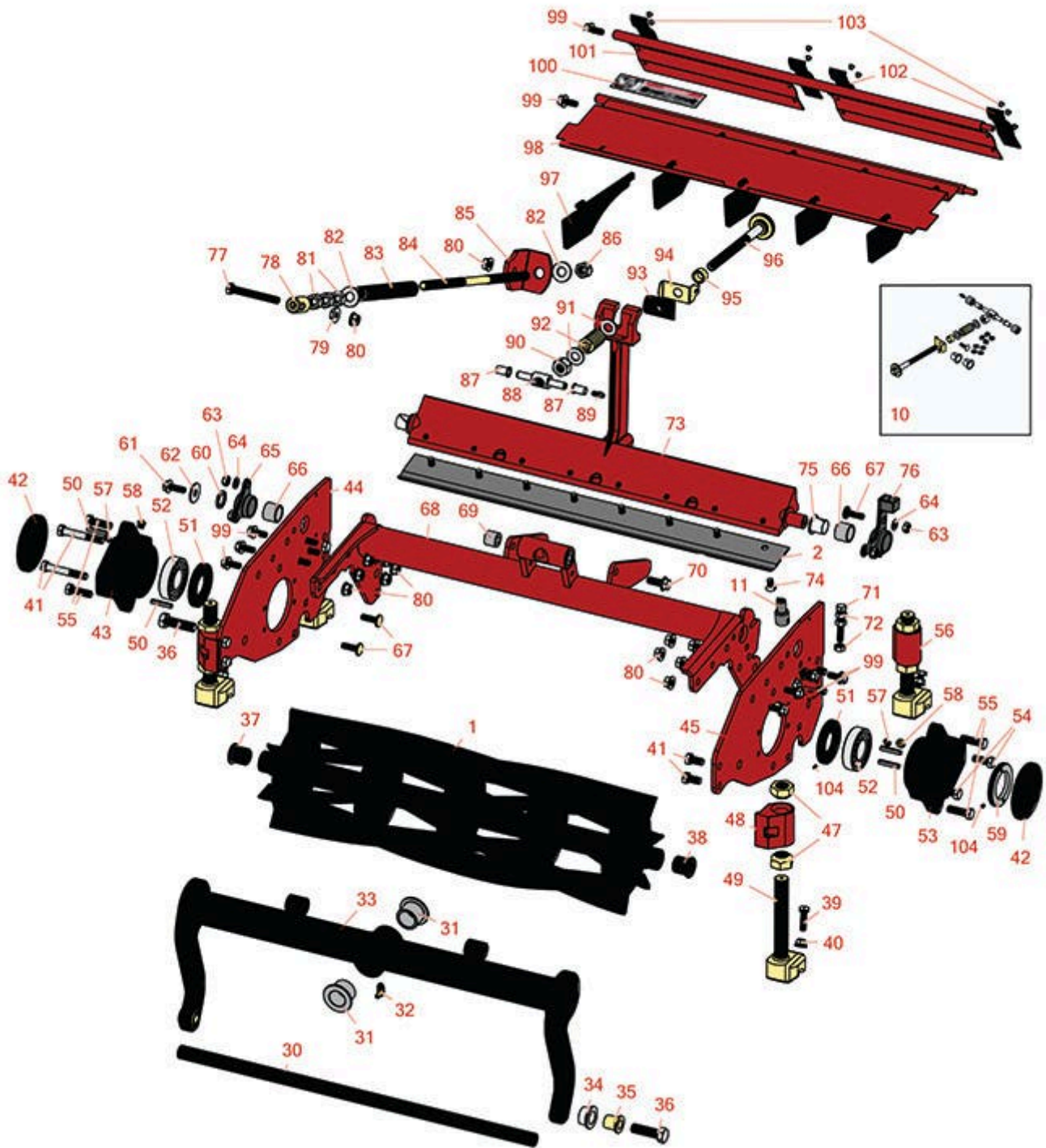




# Replaces Toro Reelmaster 6700D Parts

Cutting Unit - Models 03860, 03861 & 03862  
Reel & Bedknife



All original equipment manufacturers names and part numbers are used for identification purposes only, and we are in no way implying that our products are original equipment parts. Prices subject to change without notice.



# Replaces Toro Reelmaster 6700D Parts

Cutting Unit - Models 03860, 03861 & 03862  
Reel & Bedknife



Item No	R&R Part No.	OEM Part No.	Description	Qty Req	Order Quantity
<b>R&amp;R Reels, Lifetime Guaranteed</b>					
1	<b>R94-4337</b>	93-7520, 94-4337	Reel - 5 Blade	1	
1	<b>R95-2770</b>	95-2770	Reel - 7 Blade	1	
1	<b>R94-4338</b>	93-7521, 94-4338	Reel - 11 Blade	1	
<b>R&amp;R Bedknives, Lifetime Guaranteed</b>					
2	<b>R93-9774</b>	93-9774	Bedknife - 5/16	1	
2	<b>R104-1810</b>	104-1810	Bedknife - High Cut	1	
<b>Overhaul Kits &amp; Service Tools</b>					
10	<b>R106-9605</b>	106-9605	Overhaul Kit - Spa Bedbar	1	
<i>Tech Note: Includes 1 ea: R302-18, R3296-62, R57-5260, R93-2959, R93-7501, R95-0772, R95-8752, R95-8877; 2 ea: R453017, R52-2890, R62-5510, R93-7502; &amp; 4 ea: R3230-2, R3256-74, R3296-29:</i>					
11	<b>R51-0880</b>	51-0880	Bedknife Screw Driver Tool	0	
<b>Other Parts Available</b>					
30	<b>R99-8693</b>	99-8693	Rod-Support	1	
31	<b>R94-1291</b>	94-1291	Bushing - Flanged	2	
32	<b>R302-60</b>	302-60	Zerk - Grease 90 Deg.	1	
33	<b>R100-8011</b>	100-8011, 98-7972, 98-7973, 99-2457	Carrier Frame Assy	1	
34	<b>R93-2877</b>	93-2877	Bushing - Flanged	2	
35	<b>R100-2276</b>	100-2276	Spacer-Frame	2	

All original equipment manufacturers names and part numbers are used for identification purposes only, and we are in no way implying that our products are original equipment parts. Prices subject to change without notice.



# Replaces Toro Reelmaster 6700D Parts

Cutting Unit - Models 03860, 03861 & 03862

Reel & Bedknife



Item No	R&R Part No.	OEM Part No.	Description	Qty Req	Order Quantity
36	<b>R325-7</b>	01-150-0380, 01-178-0814, 3226-3, 325-7, 48-9490	Bolt - 1/2-13 x 1 3/4 Hex HD Gr 5	2	
37	<b>R94-2732</b>	94-2732	Insert - Threaded RH	1	
38	<b>R94-2733</b>	94-2733	Insert - Threaded LH	1	
39	<b>R322-16</b>	322-16, Apr-00	Bolt - Hex HD 5/16-18 x 1-1/8	4	
40	<b>R445722</b>	30-8980, 32128-2, 32128-20, 32128-20 , 445722	Nut - Serrated Washer	4	
41	<b>R101526</b>	01-150-0970, 01-178-0620, 101526, 20-53-AGD, 321-11, 3224-8, 323-11, 323-12, 323-31, 323-4, 323-47	Bolt - Hex HD 3/8-16 x 2-1/2 GR5	2	
41	<b>R400258</b>	01-150-0800, 01-178-0600, 01-178-0606, 20-45-AD, 31-0200, 31-9910, 3224-1, 323-4, 400258	Bolt - Hex HD 3/8-16 x 3/4	8	
42	<b>R94-2703</b>	94-2703	Plug - Plastic Spindle Housing	2	
43	<b>R105-6759</b>	105-6759	Housing-Bearing - RH	1	
44	<b>R100-2267-01</b>	100-2267-01	Sideplate-RH	1	

All original equipment manufacturers names and part numbers are used for identification purposes only, and we are in no way implying that our products are original equipment parts. Prices subject to change without notice.



# Replaces Toro Reelmaster 6700D Parts

Cutting Unit - Models 03860, 03861 & 03862

Reel & Bedknife



Item No	R&R Part No.	OEM Part No.	Description	Qty Req	Order Quantity
45	<b>R100-2268-01</b>	100-2268-01	LH Sideplate Assy	1	
47	<b>R95-2789</b>	95-2789	Nut - Roller Adj Short	8	
48	<b>R100-2261-01</b>	100-2261-01	Bracket - HOC Front	2	
49	<b>R100-2263</b>	100-2263	Bracket - Roller Adj	4	
50	<b>R32121-69</b>	120-8095, 32121-69	Pin - Roll 1/4 x 1-1/4	4	
51	<b>R107-4028</b>	105-6757, 107-4028	Seal - Grease	2	
52	<b>R93-2489</b>	93-2489	Bearing - Reel	2	
53	<b>R105-6755</b>	105-6755	Housing-Bearing - LH	1	
54	<b>R323-6</b>	01-150-0010, 01-178-0608, 20-47-AD, 20-47-AGD, 3224-2, 323-6, 49-3510, 908034P, 908332	Bolt - Hex HD 3/8-16 x 1 GR5 YZ	2	
55	<b>R400264</b>	01-150-0180, 01-178-0610, 20-48-AD, 20-48-AGD, 32-9160, 3224-3, 323-29, 323-7, 400264, 908035P	Bolt - Hex HD 3/8-16 x 1-1/4	4	
56	<b>R100-2262-01</b>	100-2262-01	Bracket - HOC Rear	2	

All original equipment manufacturers names and part numbers are used for identification purposes only, and we are in no way implying that our products are original equipment parts. Prices subject to change without notice.



# Replaces Toro Reelmaster 6700D Parts

Cutting Unit - Models 03860, 03861 & 03862

Reel & Bedknife



Item No	R&R Part No.	OEM Part No.	Description	Qty Req	Order Quantity
57	<b>R302-5</b>	21-6010, 302-11, 302-37, 302-47, 302-5, 302-57, 302-58, 302-6, 31-0300, 32-9660, 60-0800, 62-3880, 92-4181	Fitting - Grease	2	
58	<b>R170714</b>	302-34, 302-39, 62-3520	Fitting - Pressure Relief	2	
59	<b>R93-9786</b>	105-6756, 93-9786, 95-2793, 99-5672	Nut - Bearing Adj Incl R3245-42	1	
60	<b>R93-7510</b>	93-7510	Ring - Quad RH Pivot Hub	1	
61	<b>R33104-020</b>	33104-020	Bolt - Hex Washer HD	1	
62	<b>R3256-82</b>	3256-82	Washer - Flat	1	
63	<b>R3296-29</b>	1-804256, 3290-357, 3296-29, 915662P	Locknut - 5/16-18 ESNA	4	
64	<b>R3256-74</b>	3256-74	Washer - Flat	4	
65	<b>R93-2513</b>	93-2513	Hub - Pivot RH	1	
65	<b>R100-3380</b>	100-3380	Hub - Pivot RH Bed Bar	1	
<i>Tech Note: Includes R93-7501:</i>					
66	<b>R93-7501</b>	93-7501	Bushing	2	

All original equipment manufacturers names and part numbers are used for identification purposes only, and we are in no way implying that our products are original equipment parts. Prices subject to change without notice.



# Replaces Toro Reelmaster 6700D Parts

Cutting Unit - Models 03860, 03861 & 03862

Reel & Bedknife



Item No	R&R Part No.	OEM Part No.	Description	Qty Req	Order Quantity
67	<b>R3230-22</b>	3230-22, R3230-22	Bolt - Carriage 5/16-18 x 1	4	
68	<b>R100-4994-01</b>	100-4994-01	Frame-Reel	1	
69	<b>R62-5510</b>	52-2870, 62-5510	Bushing	2	
70	<b>R3234-18</b>	3234-18	Screw-HHF	1	
71	<b>R94-3489</b>	75-8530, 94-3489	Bolt - Hex HD M8 x 50	1	
72	<b>R14M7298</b>	104-2612, 33004-00	Nut - 8mm x 1.25 Flanged	3	
73	<b>R99-8698</b>	93-2854, 95-3458, 99-8698-01	Bed Bar	1	
74	<b>R150476</b>	3-3816, 3-6462, 52-4910, 57-4910	Screw - Bedknife 5/16-18 x 5/8	8	
75	<b>R93-7502</b>	93-7502	Bushing - Flanged Nylon	2	
76	<b>R93-2512</b>	93-2512	Hub - Pivot LH Bed Bar	1	
76	<b>R100-3381</b>	100-3381	Hub - Pivot LH Bed Bar	1	
<i>Tech Note: Includes R93-7501:</i>					
77	<b>R99-8664</b>	99-8664	Bolt - Hx HD	1	
78	<b>R99-8662</b>	99-8662	Tube - Spring	1	
79	<b>R32128-43</b>	30-8990, 32128-43, 3290-357	Nut - Flanged Whiz - 3/8-16	1	

All original equipment manufacturers names and part numbers are used for identification purposes only, and we are in no way implying that our products are original equipment parts. Prices subject to change without notice.



# Replaces Toro Reelmaster 6700D Parts

Cutting Unit - Models 03860, 03861 & 03862

Reel & Bedknife



Item No	R&R Part No.	OEM Part No.	Description	Qty Req	Order Quantity
80	<b>R3296-39</b>	32127-25, 32128-36, 3290-357, 3296-17, 3296-22, 3296-39, 915663P, 99-7443	Locknut - 3/8-16 Nylon	2	
81	<b>R443818</b>	01-191-0813, 3218-18, 3218-5, 3248-18	Nut - 1/2-13 Hex Jam Zinc	3	
82	<b>R453017</b>	01-166-0050, 01-166-0240, 01-166-0800, 24-13-AD, 24-14-AD, 32-8110, 3256-26, 3256-6, 453017, 69-8980, 87-7270	Washer - Flat 1/2	2	
83	<b>R110-4079</b>	110-4079	Spring	1	
84	<b>R99-8661</b>	99-8661	Rod-Spring	1	
85	<b>R100-4992</b>	100-4992	Bracket-Spring	1	
86	<b>RF5003</b>	32127-29, 32131-5, 32132-5, 3296-23	Locknut - ESNA 1/2-13	1	
87	<b>R52-2890</b>	52-2890	Bushing - Flanged	2	
88	<b>R57-5260</b>	107-7409, 57-5260	Pivot - 1/2-20 - Bed Bar	1	
89	<b>R302-18</b>	302-18	Zerk - Grease Press Style	1	
90	<b>R3296-62</b>	3296-62	Locknut - 1/2-20 LH Jam	1	

All original equipment manufacturers names and part numbers are used for identification purposes only, and we are in no way implying that our products are original equipment parts. Prices subject to change without notice.



# Replaces Toro Reelmaster 6700D Parts

Cutting Unit - Models 03860, 03861 & 03862

Reel & Bedknife



Item No	R&R Part No.	OEM Part No.	Description	Qty Req	Order Quantity
91	<b>R29-8910-01</b>	29-8910	Washer - Flat 1/2	2	
92	<b>R95-0772</b>	93-2915, 95-0772	Spring - Bed Bar Adjuster	1	
93	<b>R93-2892</b>	93-2892	Pivot - Plastic - Bed Bar	1	
94	<b>R95-8752</b>	93-9767, 95-8752	Arm - Spring	1	
95	<b>R93-2959</b>	93-2959	Spacer - Bed Bar Assy	1	
96	<b>R95-8877</b>	106-7536, 93-2957, 95-2762, 95-8877	Handle - Bed Bar Adjustment	1	
97	<b>R100-2287</b>	100-2287	Deflector-Shield,	5	
98	<b>R100-9900</b>	100-2285-01, 100-9900	Grass Shield - Front	1	
99	<b>R3234-5</b>	3234-5, 62-3310	Bolt - 5/16-18x3/4 Hx Ser Was HD	2	
100	<b>R67-7960</b>	27-2890, 62-5070, 67-7960	Decal - Warning	1	
101	<b>R100-2289</b>	100-2289	Rear Grass Shield Assy	1	
<i>Tech Note: Incl: 4 ea. R98-3999 and 12 ea. R700382:</i>					
102	<b>R98-3999</b>	98-3999	Flap-Side-Rubber	4	
103	<b>R700382</b>	700382	Rivet - Guard	12	
104	<b>R3245-42</b>	3245-42	Screw - Set 8/32 x 1/4	1	

All original equipment manufacturers names and part numbers are used for identification purposes only, and we are in no way implying that our products are original equipment parts. Prices subject to change without notice.