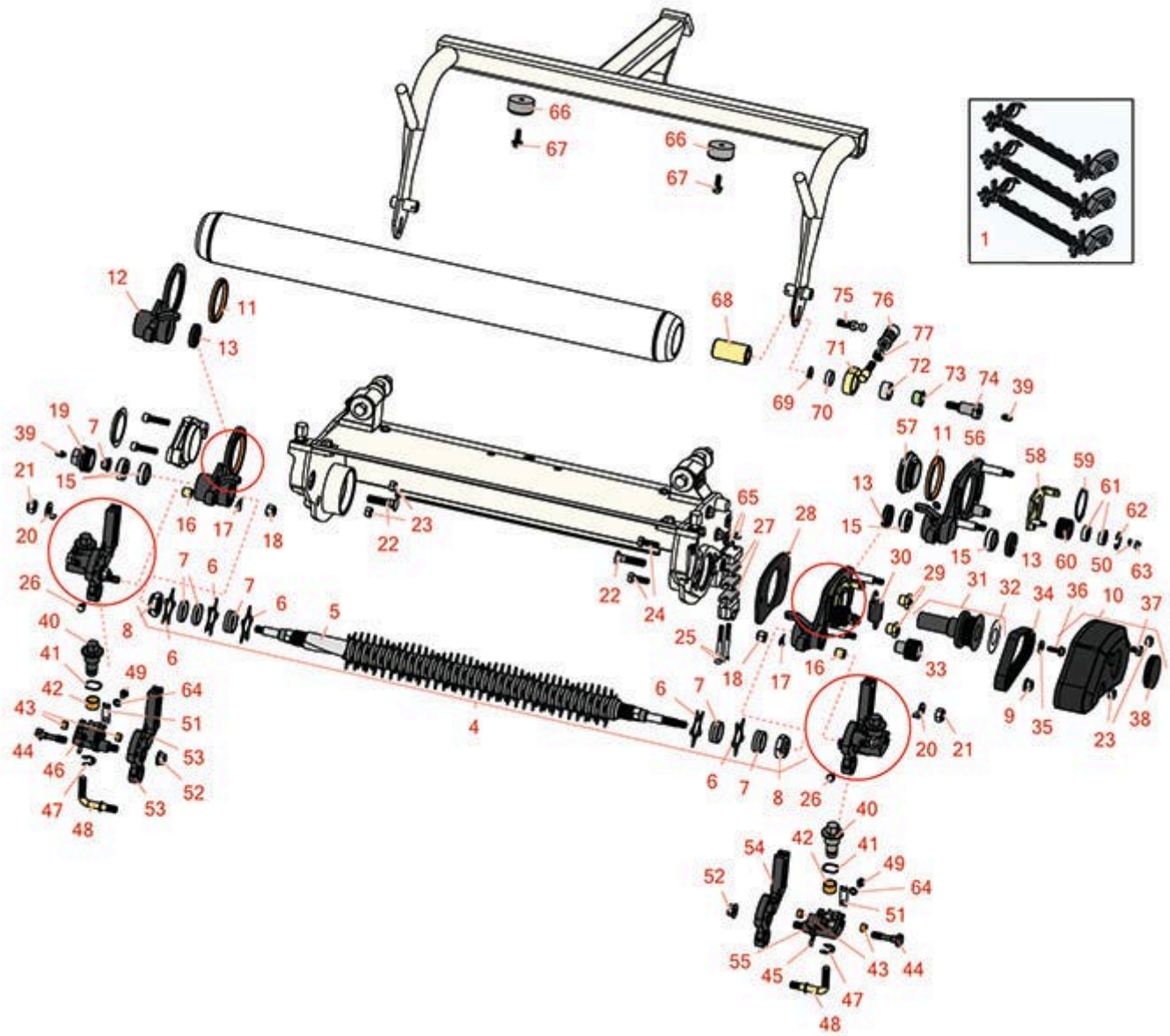
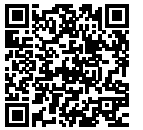




Replaces R&R Products Greens Max

2200LP Parts

Dual Adjust Cutting Unit
Front Groomer



All original equipment manufacturers names and part numbers are used for identification purposes only, and we are in no way implying that our products are original equipment parts. Prices subject to change without notice.



Replaces R&R Products Greens Max

2200LP Parts

Dual Adjust Cutting Unit
Front Groomer



Item No	R&R Part No.	OEM Part No.	Description	Qty Req	Order Quantity
---------	--------------	--------------	-------------	---------	----------------

Complete Groomer Kit

1	R04634	R04630, R04632	Complete Groomer Assy - Set of 3	1	
---	---------------	-------------------	----------------------------------	---	--

Tech Note: Includes all parts needed for three cutting unit groomers.:

Other Parts Available

4	R117-1507		Grooming Reel Assy	1	
5	R115-1770		Shaft Assy - Groomer	1	
6	R110-2333		Groomer Blade - Helix .028 Thick	42	
7	R70-1350		Spacer - 1/4 Fits Groomer Shaft	86	
8	R32127-46	R3296-60	Locknut	2	
9	R104-8301	R109-6658, R133-7570	Locknut - 3/8-16 Nylon Flanged	2	
10	R106-8542		LH Drive Cover Assy	1	
11	R106-8527		Bushing	2	
12	R115-3290		RH Support Plate Assy	1	
<i>Tech Note: Incl: R106-8527 bushing:</i>					
13	R106-8530		Seal - Oil	3	
15	R107-8105	R106-8520	Bearing-Ball - Extended	4	
16	R256-2		Bushing - Idler Pulley	2	
17	R3290-301		Washer - Spring Wave	2	
18	R3296-5		Locknut - 3/8-24 Jam Nylon	2	
19	R106-8529		Plug-Cap	1	
20	R115-3282		Washer - HOC Bracket	2	

All original equipment manufacturers names and part numbers are used for identification purposes only, and we are in no way implying that our products are original equipment parts. Prices subject to change without notice.



Replaces R&R Products Greens Max

2200LP Parts

*Dual Adjust Cutting Unit
Front Groomer*



Item No	R&R Part No.	OEM Part No.	Description	Qty Req	Order Quantity
21	R106-4668		Locknut - 10mm x 1.5 Top Lock	2	
22	R150647	R105-5342	Plow Bolt - HOC - Front Roller	2	
23	R33024-00		Locknut - 8mm x 1.25	2	
24	R57-6380	R33114-025, R48-9460, R60-4540	Bolt - Hex HD M8-1.25 x 25	2	
25	R117-1511		Bolt - Soc HD Cap	4	
26	R48-7610	R33113-012	Bolt - Hex HD Nyloc M6 x 12	2	
27	R105-5711	R119-4165	Shim - Roller	6	
28	R106-8463		Shim-Groomer	1	
29	R105-5770		Nut - Shoulder	2	
30	R110-1700	R66-4460	Spring-Extension	1	
31	R106-8540		Pulley Assy	1	
32	R106-8521		Decal-Warning	1	
33	R115-5219		Pulley-Driven, Splined	1	
34	R104-4705	R120-2763	Belt - Groomer	1	
35	R105-5769		Washer	1	
36	R33103-020		Bolt - Hex Washer M6-1.0 x 20	1	
37	R33114-010		Bolt - Hex HD M8-1.25 x 10	1	
38	R105-5761		Grommet	1	

All original equipment manufacturers names and part numbers are used for identification purposes only, and we are in no way implying that our products are original equipment parts. Prices subject to change without notice.



Replaces R&R Products Greens Max

2200LP Parts

Dual Adjust Cutting Unit
Front Groomer



Item No	R&R Part No.	OEM Part No.	Description	Qty Req	Order Quantity
39	R302-5	R173-0, R21-6010, R255825, R302-37, R302-47, R302-57, R302-58, R302-6, R31-0300, R32-9660, R471214, R471223, R471226, R60-0800, R62-3880, R92-4181, RJD7797, RJD7842, RJD7844, RM0004	Fitting - Grease	4	
40	R106-8482		Adjuster-Groomer	2	
41	R107-8107	R106-8490	Washer - Wave	2	
42	R256-42		Bushing	2	
43	R106-8489		Bushing-Sleeve	4	
44	R106-8528		Screw - Lock	2	
45	R104-9312		Pin - Grooved	2	
46	R106-8535		RH Lift Arm Assy	1	
47	R32120-19	R32120-81	E-Ring	2	
48	R115-3291		Rod - Lift - Groomer	2	
49	R33113-008		Bolt - Hex HD M6-1.0 x 8	2	
50	R43-5930	R01-176-0030	Washer - Lock M6	1	
51	R104-4754		Spring-Detent	2	

All original equipment manufacturers names and part numbers are used for identification purposes only, and we are in no way implying that our products are original equipment parts. Prices subject to change without notice.



Replaces R&R Products Greens Max

2200LP Parts

Dual Adjust Cutting Unit
Front Groomer



Item No	R&R Part No.	OEM Part No.	Description	Qty Req	Order Quantity
52	R14M7296	R104-2611	Nut - 10mm x 1.5 Flanged	2	
53	R115-3286		Arm-Groomer, HOC (RH)	1	
54	R114-4646		Arm-Groomer, HOC (LH)	1	
55	R106-8536		LH Lift Arm Assy	1	
<i>Tech Note: Incl: R106-8489 and R256-42 bushings:</i>					
56	R114-4650		Drive Side Plate - LH	1	
57	R106-8471		Hub-Pivot	1	
58	R106-8470		LH Idler Assy	1	
59	R106-2646		Ring - Retaining, Bo	1	
60	R106-2630		Idler Bearing Assy	1	
61	R251-259	R251-307	Bearing - Ball	2	
62	R104-4727		Ring - Retaining	1	
63	R33023-00	R48-7900, R49-7810	Locknut - ESNA 6mm x 1.0	1	
64	R24M7139		Washer - Flat 6mm	1	
65	R33003-00	R65-7980	Hex Nut - Flanged 6-1.0mm	4	
66	R94-4548		Rubber Bumper	2	
67	R49-2040	R32104-42, R32104-95, R32144-44	Bolt - Hex Washer 1/4-20 x 3/4	2	
68	R88-6830		Spacer - Carrier Frame	2	

All original equipment manufacturers names and part numbers are used for identification purposes only, and we are in no way implying that our products are original equipment parts. Prices subject to change without notice.



Replaces R&R Products Greens Max

2200LP Parts

Dual Adjust Cutting Unit
Front Groomer



Item No	R&R Part No.	OEM Part No.	Description	Qty Req	Order Quantity
69	R453011	3256-24, 453011, R01-166-0100, R01-166-0120, R01-166-0270, R01-166-0500, R01-166-0600, R01-166-0620, R132-4593, R237-12, R24-10-AD, R24-11-AD, R24-11-BD, R24-12-AD, R24-12-BD, R30-9310, R32-8190, R3256-24, R3256-3, R3256-36, R3256-4, R47-9950	Washer - Flat 3/8 SAE Y/Zinc	2	
70	R98-2389		Spacer-Link, Pull	2	
71	R100-6440	R17-2889, R94-9632, R95-2901	Pull Link - w/Bushing	2	
72	R95-0532		Bushing - Pull Link	1	
73	R256-292	R104-7738	Bushing - Nyliner Bed Bar	2	
74	R98-1483		Screw - Link Pull	2	
75	R94-2958	R2411-7	Stud - Alloy Ball Joint	2	
76	R99-1460	R2411-28, R2411-29, R2411-30, R2411-6, R2411-8, R8-7710, R94-2959	Receiver - Ball Joint	2	

All original equipment manufacturers names and part numbers are used for identification purposes only, and we are in no way implying that our products are original equipment parts. Prices subject to change without notice.



Replaces R&R Products Greens Max

2200LP Parts

*Dual Adjust Cutting Unit
Front Groomer*



Item No	R&R Part No.	OEM Part No.	Description	Qty Req	Order Quantity
77	R3220-3	R01-191-0624, R3290-149	Nut - Jam Ball Joint	2	

All original equipment manufacturers names and part numbers are used for identification purposes only, and we are in no way implying that our products are original equipment parts. Prices subject to change without notice.