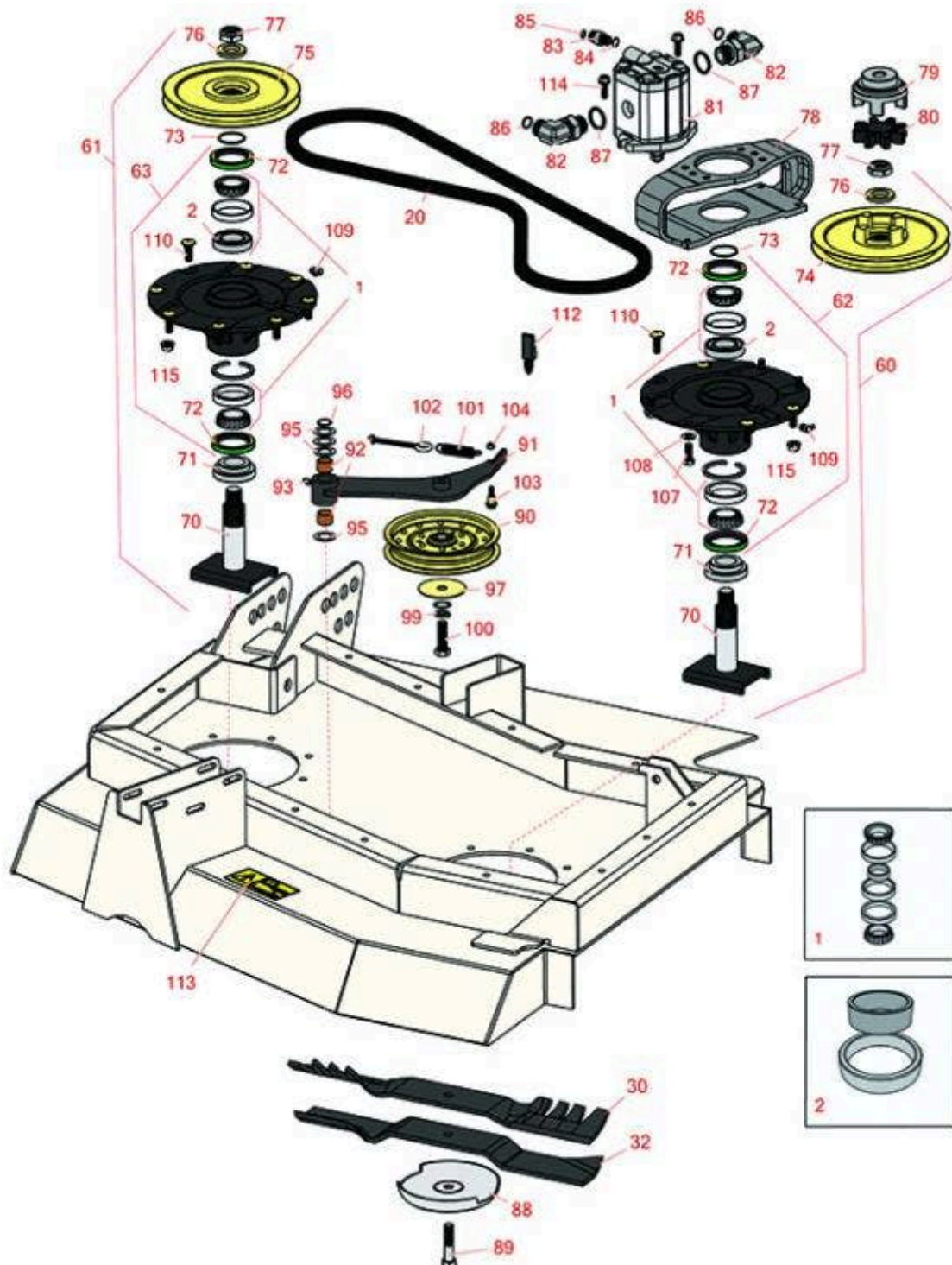




# Replaces Toro Groundsmaster 4100-D Parts

Rotary Mower - Model 30449  
Right-Hand Deck Lift Arms and Spindle



All original equipment manufacturers names and part numbers are used for identification purposes only, and we are in no way implying that our products are original equipment parts. Prices subject to change without notice.



# Replaces Toro Groundsmaster 4100-D Parts

Rotary Mower - Model 30449

Right-Hand Deck Lift Arms and Spindle



Item No	R&R Part No.	OEM Part No.	Description	Qty Req	Order Quantity
<b>Overhaul Kits</b>					
1	<b>R110-8297</b>	110-8297, 26-1830	Bearing Set w/Retaining Rings - Spindle	2	
2	<b>R104-3549</b>	104-3549	Spacer Set - Spindle Bearing	2	
<b>Belts</b>					
20	<b>R108-8077</b>	105-7438, 108-8077	V-Belt - Deck	1	
<b>Rotary Blades</b>					
30	<b>R107-0215-03</b>	107-0215-03	Mower Blade - Mulcher - 19 in	2	
32	<b>R106-7166-03</b>	106-7166-03	Mower Blade - Combo - 19 in	2	
<b>Other Parts Available</b>					
60	<b>R119-4547</b>	104-3529, 119-4547, 139-1035	Driving Spindle Assy	1	
61	<b>R119-4776</b>	104-3532, 119-4776	Spindle Assy	1	
62	<b>R119-4546</b>	104-3552, 119-3552, 119-4546	Spindle Housing Assy	1	
63	<b>R119-4775</b>	119-4775	Spindle Housing Assy	1	
70	<b>R104-3554</b>	104-3554	Shaft - Spindle Assy.	2	
71	<b>R92-9800</b>	69-6950, 69-6980, 92-9800	Spacer - Spindle	2	
72	<b>R253-154</b>	253-154	Seal - Spindle	4	
73	<b>R106-7159</b>	106-7159	O-Ring	2	
74	<b>R104-3545</b>	104-3545	Pulley - Drive	1	

All original equipment manufacturers names and part numbers are used for identification purposes only, and we are in no way implying that our products are original equipment parts. Prices subject to change without notice.



# Replaces Toro Groundsmaster 4100-D Parts

*Rotary Mower - Model 30449  
Right-Hand Deck Lift Arms and Spindle*



Item No	R&R Part No.	OEM Part No.	Description	Qty Req	Order Quantity
75	<b>R104-3546</b>	104-3546	Pulley - Lower Driven	1	
76	<b>R104-8322</b>	104-8322, 120-5576	Washer - Spindle Shaft Hardened	2	
77	<b>R32127-46</b>	32127-46, 3296-60	Locknut	2	
78	<b>R104-3544</b>	104-3544	Mount - Motor Drive	1	
79	<b>R104-3541</b>	104-3541	Hub - Drive	1	
80	<b>R104-3542</b>	104-3542	Spider	1	
81	<b>R99-5489</b>	99-5489	Hydraulic Motor	1	
82	<b>R340-139</b>	340-139	Hydraulic Fitting - 90 Deg	2	
83	<b>R340-2</b>	340-2, 60-1920	Hydraulic Fitting - Striaight	1	
84	<b>R237-42</b>	237-42, 31-4160	O-Ring	1	
85	<b>R237-22</b>	107-8844, 237-22, 237-78	O-Ring	1	
86	<b>R237-65</b>	237-65, 237.65	O-Ring	2	
87	<b>R237-81</b>	237-81, 237.81, 327-81	O-Ring	2	
88	<b>R72-9361</b>	27-1000, 27-1001, 72-9360, 72-9361	Cup - Anti-Scalp	2	
89	<b>R92-5816</b>	92-5816	Bolt - Hex HD 1/2-20 x 2-1/4	2	
90	<b>R110-9596</b>	110-9596, 132-9421	Pulley- Flat Idler	1	

All original equipment manufacturers names and part numbers are used for identification purposes only, and we are in no way implying that our products are original equipment parts. Prices subject to change without notice.



# Replaces Toro Groundsmaster 4100-D Parts



Rotary Mower - Model 30449

Right-Hand Deck Lift Arms and Spindle

Item No	R&R Part No.	OEM Part No.	Description	Qty Req	Order Quantity
91	<b>R110-6128</b>	110-6128	Idler Arm Assy	1	
92	<b>R256-76</b>	256-76	Bushing	2	
93	<b>R302-5</b>	21-6010, 302-11, 302-37, 302-47, 302-5, 302-57, 302-58, 302-6, 31-0300, 32-9660, 60-0800, 62-3880, 92-4181	Fitting - Grease	1	
95	<b>R3-6498</b>	3--6498, 3-6498, 47-8270	Washer - Thrust	4	
96	<b>R458013</b>	30-0580, 32120-72, 458013, 93-2525, 936125	Ring - Retaining	1	
97	<b>R100-3102</b>	100-3102	Washer-Flat	1	
99	<b>R3253-7</b>	01-166-0030, 01-166-0080, 01-166-0290, 01-166-0810, 23-13-GD, 3253-7, 48-9380	Washer - Lock 1/2	1	
100	<b>R325-7</b>	01-150-0380, 01-178-0814, 3226-3, 325-7, 48-9490	Bolt - 1/2-13 x 1 3/4 Hex HD Gr 5	1	
101	<b>R107938</b>	107938	Spring - Extension	1	

All original equipment manufacturers names and part numbers are used for identification purposes only, and we are in no way implying that our products are original equipment parts. Prices subject to change without notice.



# Replaces Toro Groundsmaster 4100-D Parts



Rotary Mower - Model 30449

Right-Hand Deck Lift Arms and Spindle

Item No	R&R Part No.	OEM Part No.	Description	Qty Req	Order Quantity
102	<b>R68-0090</b>	68-0090	Screw - Adjusting	1	
103	<b>R104-0858</b>	104-0858	Bolt - Shoulder	1	
104	<b>R3296-56</b>	3296-56	Nut - Lock - 1/4-20 ESNA Jam	1	
107	<b>R323-6</b>	01-150-0010, 01-178-0608, 20-47-AD, 20-47-AGD, 3224-2, 323-6, 49-3510, 908034P, 908332	Bolt - Hex HD 3/8-16 x 1 GR5 YZ	4	
108	<b>R453011</b>	01-166-0100, 01-166-0120, 01-166-0270, 01-166-0500, 01-166-0600, 01-166-0620, 132-4593, 2356-3, 237-12, 24-10-AD, 24-11-AD, 24-11-BD, 24-12-AD, 24-12-BD, 30-9310, 32-8190, 3256-24, 3256-3, 3256-36, 3256-4, 453011, 47-9950, 48-9220, 513458, 7-0052	Washer - Flat 3/8 SAE Y/Zinc	4	
109	<b>R302-60</b>	302-60	Zerk - Grease 90 Deg.	2	
110	<b>R114-8195</b>	114-8195, R & R ONLY	Bolt- Ribbed Neck	12	

All original equipment manufacturers names and part numbers are used for identification purposes only, and we are in no way implying that our products are original equipment parts. Prices subject to change without notice.



# Replaces Toro Groundsmaster 4100-D Parts



*Rotary Mower - Model 30449*

*Right-Hand Deck Lift Arms and Spindle*

Item No	R&R Part No.	OEM Part No.	Description	Qty Req	Order Quantity
112	<b>R74-5950</b>	249-48, 74-5950	Latch - Swell	4	
113	<b>R93-7818</b>	93-7818	Decal - Blade Torque	1	
114	<b>R3234-42</b>	3234-42	Bolt - 3/8-16 x 1 Hx HD Fl	2	
115	<b>R104-8301</b>	104-8301, 104-9301, 109-6658, 133-7570	Locknut - 3/8-16 Nylon Flanged	12	

All original equipment manufacturers names and part numbers are used for identification purposes only, and we are in no way implying that our products are original equipment parts. Prices subject to change without notice.