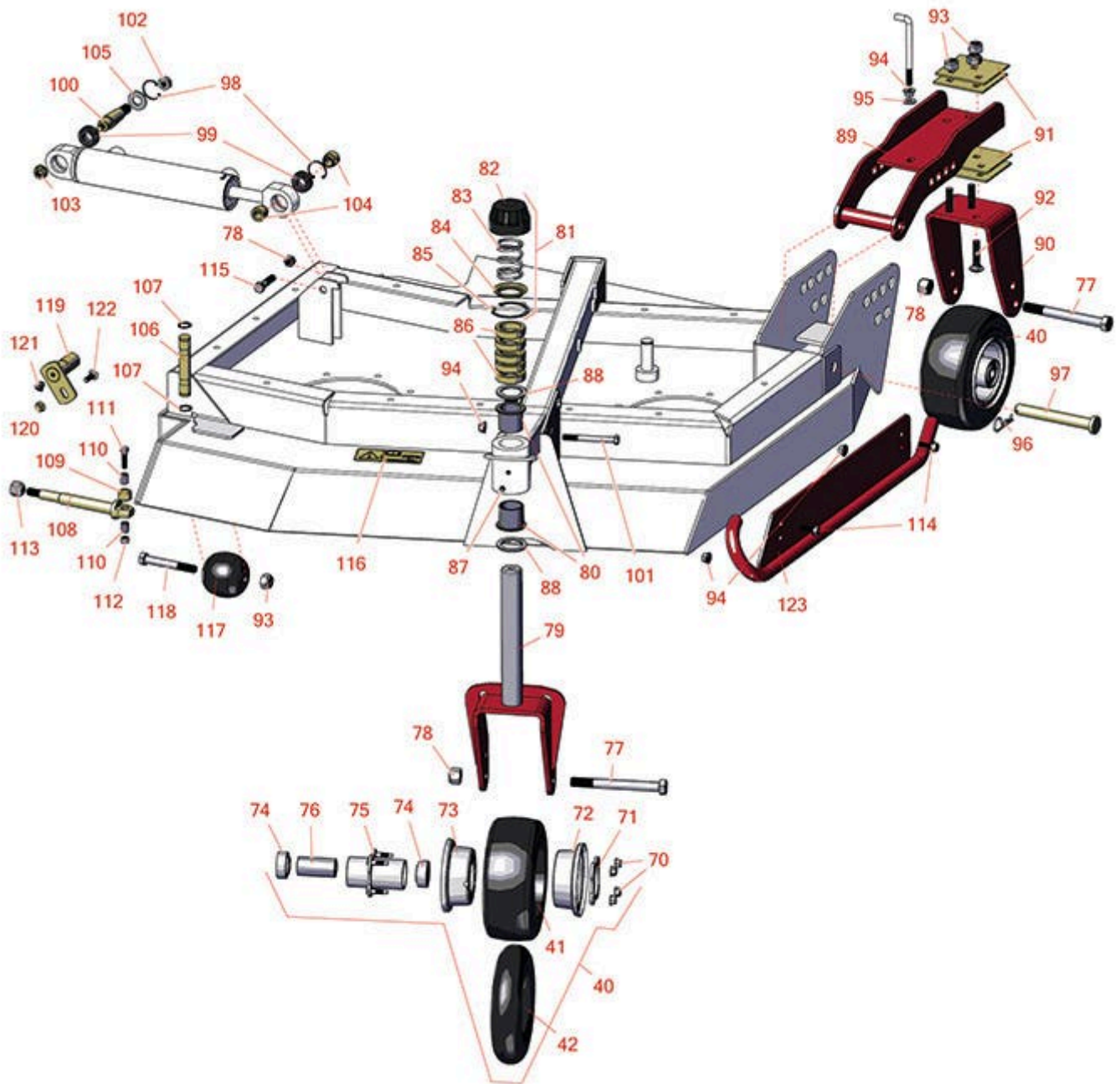




Replaces Toro Groundsmaster 4100-D

Parts

Rotary Mower - Models 30604 & 30608
Left-Hand Deck Caster Arms and Wheels



All original equipment manufacturers names and part numbers are used for identification purposes only, and we are in no way implying that our products are original equipment parts. Prices subject to change without notice.



Replaces Toro Groundsmaster 4100-D Parts

Rotary Mower - Models 30604 & 30608
Left-Hand Deck Caster Arms and Wheels



Item No	R&R Part No.	OEM Part No.	Description	Qty Req	Order Quantity
Tires & Wheels					
40	R93-9938	86-0020, 93-9938	Wheel Assy - Castor - Pneu 8x3.50-4	2	
40	R137-5529	137-5529, 93-5974, 93-9574, 137-5529	Wheel Assy - Foam Filled 8x3.5-4SM	0	
41	R93-9939	93-9939, 98-2877	Tire - 8x3.50-4 (4 Ply) Sm Pneu	2	
41	R150615	136-4424, 137-5924	Tire - Foam Filled 8-3.5 x 4 Sm 4 Ply	2	
42	R68-8950	68-8950	Tube - Castor Wheel 9x3.50-4 TR87	2	
Other Parts Available					
70	R32128-16	32128-16	Locknut - 5/16-24 Flanged Top	8	
71	R93-4242	93-4242	Plate - Caster Wheel	2	
72	R95-2741	137-5552, 95-2741	Rim - Wheel Half w/o Valve Hole	2	
73	R93-4239	93-4239	Rim - Wheel Half w/Valve Hole	2	
74	R108-9017	108-9017, 120-3366	Bearing-Stainless	4	
75	R93-5980	93-4238, 93-5980	Hub Assy - w/o Bearings/Spacer	2	
76	R93-4241	93-4241	Spacer - Caster Wheel	2	
77	R327-24	327-24	Bolt - Hex HD 5/8-11 x 6	2	
78	R3296-53	3296-53	Locknut - 5/8-11 ESNA Yellow	3	
79	R92-7750-01	86-2410, 92-7750, 92-7750-01	Fork - Castor	1	

All original equipment manufacturers names and part numbers are used for identification purposes only, and we are in no way implying that our products are original equipment parts. Prices subject to change without notice.



Replaces Toro Groundsmaster 4100-D Parts

*Rotary Mower - Models 30604 & 30608
Left-Hand Deck Caster Arms and Wheels*



Item No	R&R Part No.	OEM Part No.	Description	Qty Req	Order Quantity
80	R69-6470	69-6470	Bushing - Flanged	2	
81	R92-9727	92-9727	Cap Assy - HOC	1	
82	R92-8861	92-5582, 92-8861	Cap - HOC	1	
83	R92-9726	92-9726	Spring - Compression	1	
84	R92-5583	92-5583	Washer- Cap	1	
85	R92-5581	92-5581	Ring - Retaining	1	
86	R69-1510	69-1510	Spacer - 1/2 Caster Fork	5	
87	R302-5	21-6010, 302-11, 302-37, 302-47, 302-5, 302-57, 302-58, 302-6, 31-0300, 32-9660, 60-0800, 62-3880, 92-4181	Fitting - Grease	1	
88	R69-6860	69-6860	Washer - 1/8 - Caster Wheel	2	
89	R104-7529-01	104-7529-01	Castor Bracket Assy	1	
90	R105-7457-01	105-7457-01	Fork - Rear	1	
91	R104-7524	104-7524	Shim	4	
92	R3233-4	01-173-0816, 3233-4	Bolt - 1/2-13 x 2 Carr Gr 5	3	

All original equipment manufacturers names and part numbers are used for identification purposes only, and we are in no way implying that our products are original equipment parts. Prices subject to change without notice.



Replaces Toro Groundsmaster 4100-D Parts



Rotary Mower - Models 30604 & 30608
Left-Hand Deck Caster Arms and Wheels

Item No	R&R Part No.	OEM Part No.	Description	Qty Req	Order Quantity
93	R3296-25	30-3380, 32127-21, 32127-31, 3290-160, 3290-33, 3296-13, 3296-25, 3296-45, 329645	Locknut - 1/2-13 Heavy ESNA	3	
94	R104-8301	104-8301, 104-9301, 109-6658, 133-7570	Locknut - 3/8-16 Nylon Flanged	6	
95	R453011	01-166-0100, 01-166-0120, 01-166-0270, 01-166-0500, 01-166-0600, 01-166-0620, 132-4593, 2356-3, 237-12, 24-10-AD, 24-11-AD, 24-11-BD, 24-12-AD, 24-12-BD, 30-9310, 32-8190, 3256-24, 3256-3, 3256-36, 3256-4, 453011, 47-9950, 48-9220, 513458, 7-0052	Washer - Flat 3/8 SAE Y/Zinc	1	
96	R460312	30-8530, 3290-343	Pin - Hair Cotter	1	
97	R100-5569	100-5569	Pin - Clevis 3/4 x 6 3/4	1	
98	R458461	32151-34	Snap Ring	2	

All original equipment manufacturers names and part numbers are used for identification purposes only, and we are in no way implying that our products are original equipment parts. Prices subject to change without notice.



Replaces Toro Groundsmaster 4100-D Parts

*Rotary Mower - Models 30604 & 30608
Left-Hand Deck Caster Arms and Wheels*



Item No	R&R Part No.	OEM Part No.	Description	Qty Req	Order Quantity
99	R105-7441	105-7441	Bearing - Spherical	2	
100	R105-7468	105-7468	Stud- Tapered	1	
101	R323-15	01-150-1460, 01-178-0628, 323-15	Bolt - Hex HD 3/8-16 x 3-1/2 GR5	4	
102	R3296-41	32146-19, 3296-41, Mar-74	Locknut - 5/8-18 Nyl Ins Gr 8	1	
103	R32128-42	32128-42	Nut-HF	1	
104	R105-7443	105-7443	Spacer- Pilot	2	
105	R3256-27	24-15-BD, 32-7820, 3256-27, 7-0131, Jul-78	Washer - Flat 5/8 SAE	1	
106	R105-7482	105-7482	Pin-Latch	1	
107	R32120-93	32120-93	Snap Ring - HD	2	
108	R106-4317	106-4317	Support - Spring	1	
109	R86-2120	86-2120	Roller - Lock	1	
110	R86-2090	86-2090	Bushing 5/16 ID x 1/2 OD x 5/8 L	2	
111	R400190	01-150-0720, 01-178-0510, 30-8680, 322-6, 513343	Bolt - Hex HD 5/16-18 x 1-1/4 GR5	1	
112	R3296-47	3296-47	Locknut - 5/16-18 Jam Nyloc	1	
113	R242-50	242-50	Nut - 1/2-20 Wheel	1	
114	R3234-42	3234-42	Bolt - 3/8-16 x 1 Hx HD Fl	2	

All original equipment manufacturers names and part numbers are used for identification purposes only, and we are in no way implying that our products are original equipment parts. Prices subject to change without notice.



Replaces Toro Groundsmaster 4100-D Parts

*Rotary Mower - Models 30604 & 30608
Left-Hand Deck Caster Arms and Wheels*



Item No	R&R Part No.	OEM Part No.	Description	Qty Req	Order Quantity
115	R327-14	01-150-0740, 01-178-1028, 327-14	Bolt - Hx HD 5/8-11 x 3 1/2	1	
116	R93-7818	93-7818	Decal - Blade Torque	1	
117	R29-4820	29-4820	Roller	1	
118	R325-17	01-150-0640, 01-150-0850, 01-178-0832, 01-178-0836, 20-97-AGD, 325-17, 325-18, 48-9260	Bolt - Hex Head	1	
119	R106-7171	106-7171, 84-1350	Pin Pivot Assy	4	
120	R104-8300	104-8300, 104-8300 , 119-4041	Locknut - 5/16-18 Flanged Y/Zinc	4	
121	R700414	302-11, 302-19, 302-4, 32-8170	Zerk - Grease 1/4-28 45 Deg	4	
122	R3230-2	01-173-0508, 25-25-AGD, 3230-16, 3230-2, 513624, 513633, 513635, 900038P	Bolt - Carriage	4	
123	R105-7437-01	105-7437-01	Skid Assy - LH	1	

All original equipment manufacturers names and part numbers are used for identification purposes only, and we are in no way implying that our products are original equipment parts. Prices subject to change without notice.