

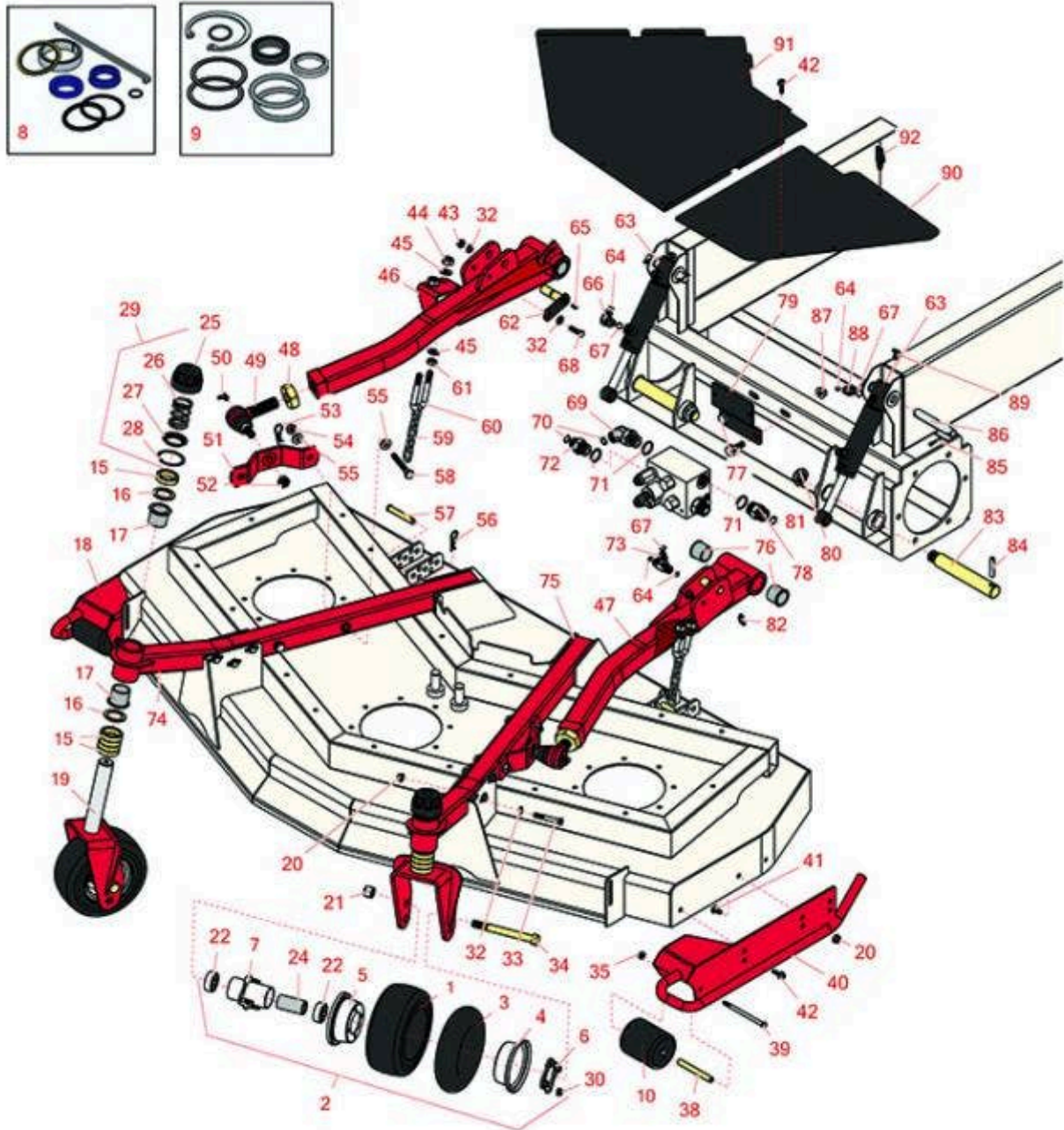


Replaces Toro Groundsmaster 4000-D

Parts

Rotary Mower - Model 30410

Front Deck Lift Arms



All original equipment manufacturers names and part numbers are used for identification purposes only, and we are in no way implying that our products are original equipment parts. Prices subject to change without notice.



Replaces Toro Groundsmaster 4000-D Parts

Rotary Mower - Model 30410
Front Deck Lift Arms



Item No	R&R Part No.	OEM Part No.	Description	Qty Req	Order Quantity
---------	--------------	--------------	-------------	---------	----------------

Tires

1	R150615	136-4424, 137-5924	Tire - Foam Filled 8-3.5 x 4 Sm 4 Ply	2	
1	R93-9939	93-9939, 98-2877	Tire - 8x3.50-4 (4 Ply) Sm Pneu	2	
2	R137-5529	137-5529, 93-5974, 93-9574, `137-5529	Wheel Assy - Foam Filled 8x3.5-4SM	2	
2	R93-9938	86-0020, 93-9938	Wheel Assy - Castor - Pneu 8x3.50-4	2	
3	R68-8950	68-8950	Tube - Castor Wheel 9x3.50-4 TR87	2	
4	R95-2741	137-5552, 95-2741	Rim - Wheel Half w/o Valve Hole	2	
5	R93-4239	93-4239	Rim - Wheel Half w/Valve Hole	2	
6	R93-4242	93-4242	Plate - Caster Wheel	2	
7	R93-5980	93-4238, 93-5980	Hub Assy - w/o Bearings/Spacer	2	

Overhaul Kits and Service Tools

8	R107-0248	107-0248	Seal Kit - Fits R107-4304 Cyl	2	
9	R83-7000SK	56-3810, 56-3820, 70-2790, 83-7250, 86-5260, 86-5360	Seal Kit - Fits R83-7000 Cylinder	2	

Tech Note: Fits 30410 only. Includes Seals, O-Rings & 1 ea: R43-5220 Retaining Ring to rebuild one cylinder:

Rollers

All original equipment manufacturers names and part numbers are used for identification purposes only, and we are in no way implying that our products are original equipment parts. Prices subject to change without notice.



Replaces Toro Groundsmaster 4000-D

Parts

Rotary Mower - Model 30410

Front Deck Lift Arms



Item No	R&R Part No.	OEM Part No.	Description	Qty Req	Order Quantity
10	R93-4803	93-4803	Roller - Deck	2	
<i>Tech Note: 30410/20412/30448-2010-2011:</i>					
Other Parts Available					
15	R69-1510	69-1510	Spacer - 1/2 Caster Fork	10	
16	R69-6860	69-6860	Washer - 1/8 - Caster Wheel	4	
17	R69-6470	69-6470	Bushing - Flanged	4	
<i>Tech Note: Ser# 208000001-210999999:</i>					
17	R104-8340	104-8340	Bushing - Caster / Lift Arm	4	
<i>Tech Note: Fits 30410 only:</i>					
18	R100-5605-01	100-5605-01	Skid Assy - RH	1	
<i>Tech Note: 30410/20412/30448-2010-2011:</i>					
19	R104-0762-01	104-0762-01	Caster Fork	2	
20	R104-8301	104-8301, 104-9301, 109-6658, 133-7570	Locknut - 3/8-16 Nylon Flanged	10	
21	R3296-53	3296-53	Locknut - 5/8-11 ESNA Yellow	2	
22	R93-4237	93-4237	Bearing	4	
24	R93-4241	93-4241	Spacer - Caster Wheel	2	
25	R92-8861	92-5582, 92-8861	Cap - HOC	2	
26	R92-9726	92-9726	Spring - Compression	2	
27	R92-5583	92-5583	Washer- Cap	2	
28	R92-5581	92-5581	Ring - Retaining	2	

All original equipment manufacturers names and part numbers are used for identification purposes only, and we are in no way implying that our products are original equipment parts. Prices subject to change without notice.



Replaces Toro Groundsmaster 4000-D Parts

Rotary Mower - Model 30410
Front Deck Lift Arms



Item No	R&R Part No.	OEM Part No.	Description	Qty Req	Order Quantity
29	R92-9727	92-9727	Cap Assy - HOC	2	
30	R32128-16	32128-16	Locknut - 5/16-24 Flanged Top	8	
32	R453011	01-166-0100, 01-166-0120, 01-166-0270, 01-166-0500, 01-166-0600, 01-166-0620, 132-4593, 2356-3, 237-12, 24-10-AD, 24-11-AD, 24-11-BD, 24-12-AD, 24-12-BD, 30-9310, 32-8190, 3256-24, 3256-3, 3256-36, 3256-4, 453011, 47-9950, 48-9220, 513458, 7-0052	Washer - Flat 3/8 SAE Y/Zinc	10	
33	R323-15	01-150-1460, 01-178-0628, 323-15	Bolt - Hex HD 3/8-16 x 3-1/2 GR5	6	
34	R327-24	327-24	Bolt - Hex HD 5/8-11 x 6	2	
35	R104-8300	104-8300, 104-8300 , 119-4041	Locknut - 5/16-18 Flanged Y/Zinc	3	
<i>Tech Note: 30410/20412/30448-2010-2011:</i>					
38	R105-4549	105-4549	Spacer - Deck Roller	2	
<i>Tech Note: 30410/20412/30448-2010-2011:</i>					

All original equipment manufacturers names and part numbers are used for identification purposes only, and we are in no way implying that our products are original equipment parts. Prices subject to change without notice.



Replaces Toro Groundsmaster 4000-D Parts

Rotary Mower - Model 30410
Front Deck Lift Arms



Item No	R&R Part No.	OEM Part No.	Description	Qty Req	Order Quantity
39	R322-29	322-29	Bolt - Hex HD 5/16-18 x 5 GR5	2	
<i>Tech Note: 30410/20412/30448-2010-2011:</i>					
40	R100-5612-01	100-5612-01	Skid Assy - LH	1	
<i>Tech Note: 30410/20412/30448-2010-2011:</i>					
41	R3231-21	3231-21	Screw - 3/8-16 x 3/4 Carriage	2	
<i>Tech Note: 30410/20412/30448-2010-2011:</i>					
42	R3234-42	3234-42	Bolt - 3/8-16 x 1 Hx HD Fl	3	
<i>Tech Note: 30410/20412/30448-2010-2011:</i>					
43	R3296-39	32127-25, 32128-36, 3290-357, 3296-17, 3296-22, 3296-39, 915663P, 99-7443	Locknut - 3/8-16 Nylon	2	
44	R3296-25	30-3380, 32127-21, 32127-31, 3290-160, 3290-33, 3296-13, 3296-25, 3296-45, 329645	Locknut - 1/2-13 Heavy ESNA	4	
45	R3256-26	01-166-0540, 01-166-0820, 17-2530, 24-13-BD, 30-8570, 3256-26, 356206, 48-9390	Washer - 1/2 in	8	
46	R100-3031	100-3031	Lift Arm Assy - RH	1	

All original equipment manufacturers names and part numbers are used for identification purposes only, and we are in no way implying that our products are original equipment parts. Prices subject to change without notice.



Replaces Toro Groundsmaster 4000-D Parts

Rotary Mower - Model 30410
Front Deck Lift Arms



Item No	R&R Part No.	OEM Part No.	Description	Qty Req	Order Quantity
<i>Tech Note: 30410/20412/30448 only:</i>					
47	R100-3032	100-3032	Lift Arm Assy - LH	1	
<i>Tech Note: 30410/20412/30448 only:</i>					
48	R21-3001	21-3001-03	Nut- Jam 1-16 LH	2	
<i>Tech Note: 30410/30412:</i>					
49	R86-8101-01	21-0161, 86-8101, 86-8101-01, 86-8101-03	Ball Joint	2	
50	R302-40	302-13, 302-40	Fitting - Grease	2	
51	R93-4583-01	93-4583, 93-4583-01	Mount - Ball Joint	2	
52	R32136-2	22-18-BJLD, 32136-2, 3221-5	Nut - Slotted Hex HD	2	
53	R3272-12	01-151-0090, 28-19-D, 3272-12	Pin - Cotter 1/8 x 1-1/4	2	
54	R3296-48	119-4039, 32146-7, 3296-34, 3296-48	Locknut - 7/16-14 ESNA	4	
55	R87-7480	87-7480	Washer	8	
56	R3290-467	3290-467	Pin-Hair	2	
57	R283-55	283-55	Clevis Pin - 1/2 x 3	2	
58	R324-19	01-150-1000, 01-178-0728, 324-19	Bolt - Hex HD 7/16-14 x 3 1/2 GR8	4	

All original equipment manufacturers names and part numbers are used for identification purposes only, and we are in no way implying that our products are original equipment parts. Prices subject to change without notice.



Replaces Toro Groundsmaster 4000-D Parts

Rotary Mower - Model 30410
Front Deck Lift Arms



Item No	R&R Part No.	OEM Part No.	Description	Qty Req	Order Quantity
59	R95-6231	95-6231	Chain - HOC	2	
60	R104-0108	104-0108	U-Bolt	2	
61	R443118	01-188-0813, 22-15-AJD, 3217-9	Nut - 1/2-13 Zinc	4	
62	R100-3020	100-3020	Pin Assy	2	
63	R107-4304	100-3016, 107-4304	Cylinder - Center Lift	2	
<i>Tech Note: 30410/20412/30448 only:</i>					
64	R237-22	107-8844, 237-22, 237-78	O-Ring	6	
65	R302-5	21-6010, 302-11, 302-37, 302-47, 302-5, 302-57, 302-58, 302-6, 31-0300, 32-9660, 60-0800, 62-3880, 92-4181	Fitting - Grease	4	
66	R340-77	340-100, 340-77, 95-7889	Hydraulic Fitting	1	
<i>Tech Note: 30410/20412/30448 only:</i>					
67	R237-42	237-42, 31-4160	O-Ring	5	

All original equipment manufacturers names and part numbers are used for identification purposes only, and we are in no way implying that our products are original equipment parts. Prices subject to change without notice.



Replaces Toro Groundsmaster 4000-D Parts

Rotary Mower - Model 30410
Front Deck Lift Arms



Item No	R&R Part No.	OEM Part No.	Description	Qty Req	Order Quantity
68	R400264	01-150-0180, 01-178-0610, 20-48-AD, 20-48-AGD, 32-9160, 3224-3, 323-29, 323-7, 400264, 908035P	Bolt - Hex HD 3/8-16 x 1-1/4	2	
69	R340-156	340-156	Hydraulic Fitting	1	
70	R237-65	237-65, 237.65	O-Ring	2	
71	R237-81	237-81, 237.81, 327-81	O-Ring	3	
72	R340-8	340-8	Adapter	1	
73	R340-94	340-94	Adapter	1	
74	R100-8091	100-8091	Castor Arm Assy - RH	1	
75	R100-8092	100-8092	Castor Arm Assy - LH - Incl Bushings	1	
76	R104-0015	104-0015, 104-8339	Bushing - Flanged	4	
77	R400408	01-150-0090, 01-178-0812, 20-87-AD, 20-87-AGD, 20-87-AGF, 3226-2, 325-6, 513376, 513378	Bolt - Hex HD 1/2-13 x 1-1/2	2	
<i>Tech Note: 30410/20412/30448:</i>					
78	R340-9	340-9	Fitting - Straight Connector	1	

All original equipment manufacturers names and part numbers are used for identification purposes only, and we are in no way implying that our products are original equipment parts. Prices subject to change without notice.



Replaces Toro Groundsmaster 4000-D Parts

Rotary Mower - Model 30410
Front Deck Lift Arms



Item No	R&R Part No.	OEM Part No.	Description	Qty Req	Order Quantity
79	R104-0746-03	104-0746-03	Bracket - Manifold	1	
<i>Tech Note: 30410/20412/30448:</i>					
80	R3296-49	3296-49	Locknut - 1 in 14	2	
81	R237-58	237-58	O-Ring	1	
82	R700414	302-11, 302-19, 302-4, 32-8170	Zerk - Grease 1/4-28 45 Deg	2	
83	R100-3017	100-3017	Pin - Lift Arm	2	
84	R32121-110	32121-110	Roll Pin - Slotted	2	
85	R460050	01-151-0060, 3272-23, 460050	Pin - Cotter 3/16 x 1-1/4	4	
<i>Tech Note: 30410/20412/30448:</i>					
86	R105-7456	100-5559, 105-7456	Pin - Pivot	2	
<i>Tech Note: 30410/20412/30448:</i>					
87	R32128-23	32128-23, 3218-23, 99-5107	Nut - Lock Hex Flanged 1/2-13	2	
<i>Tech Note: 30410/20412/30448:</i>					
88	R340-2	340-2, 60-1920	Hydraulic Fitting - Striaght	3	
<i>Tech Note: 30410/20412/30448:</i>					
89	R323016	302-33, 323016	Zerk - Grease	2	
<i>Tech Note: 30410/20412/30448:</i>					

All original equipment manufacturers names and part numbers are used for identification purposes only, and we are in no way implying that our products are original equipment parts. Prices subject to change without notice.



Replaces Toro Groundsmaster 4000-D Parts

*Rotary Mower - Model 30410
Front Deck Lift Arms*



Item No	R&R Part No.	OEM Part No.	Description	Qty Req	Order Quantity
90	R100-5663-03	100-5663-03	Cover - LH Front	1	
91	R100-5660-03	100-5660-03	Cover - Center Front	1	
92	R74-5950	249-48, 74-5950	Latch - Swell	10	

All original equipment manufacturers names and part numbers are used for identification purposes only, and we are in no way implying that our products are original equipment parts. Prices subject to change without notice.