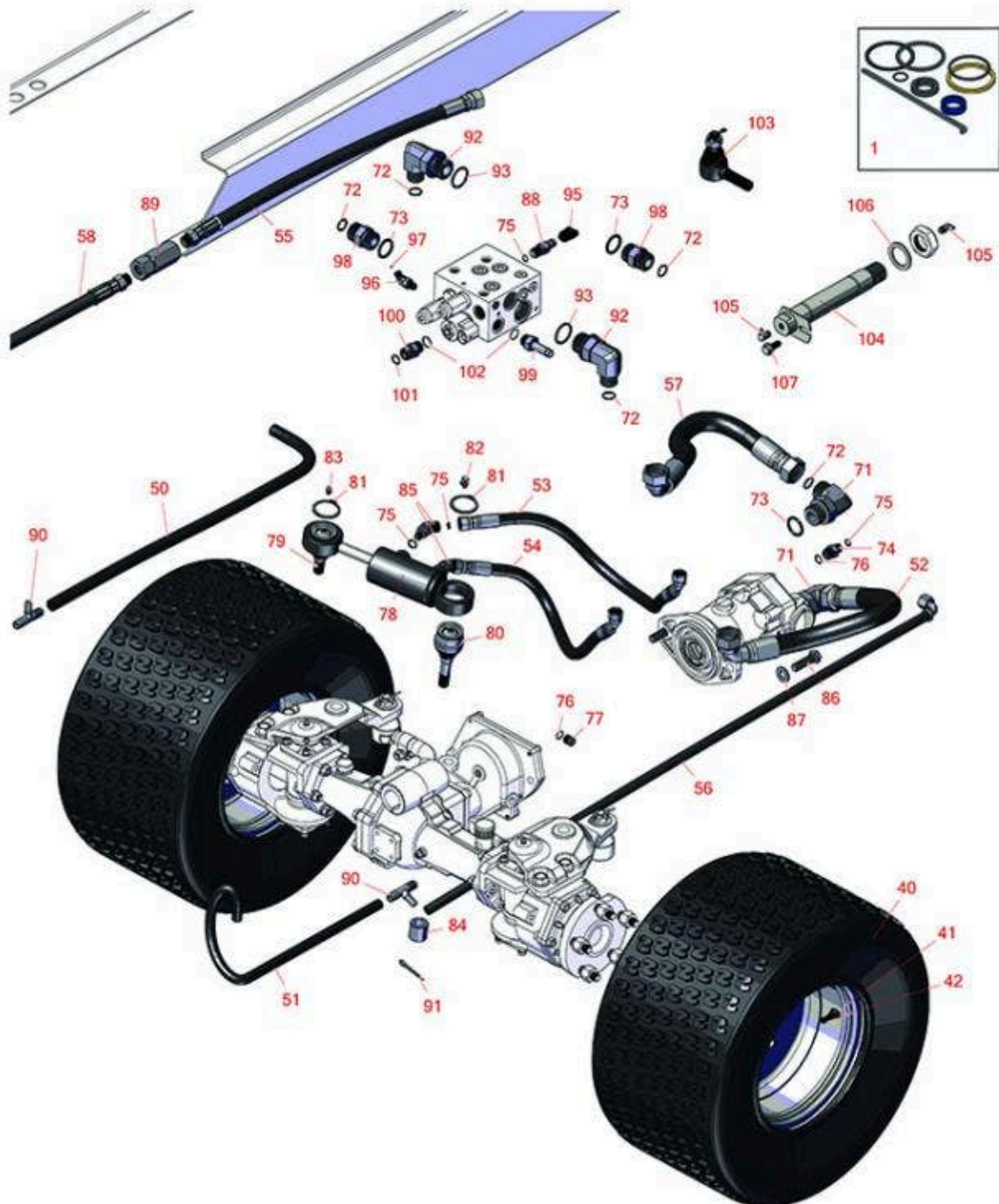




# Replaces Toro Groundsmaster 4000-D

## Parts

Rotary Mower - Model 30410  
Rear Wheels



All original equipment manufacturers names and part numbers are used for identification purposes only, and we are in no way implying that our products are original equipment parts. Prices subject to change without notice.



# Replaces Toro Groundsmaster 4000-D Parts

Rotary Mower - Model 30410  
Rear Wheels



Item No	R&R Part No.	OEM Part No.	Description	Qty Req	Order Quantity
---------	--------------	--------------	-------------	---------	----------------

## Overhaul Kits and Service Tools

1	<b>R107-0245</b>	107-0245	Seal Kit - Fits R105-0775 Hyd Cyl	1	
---	------------------	----------	-----------------------------------	---	--

## Tires

40	<b>RCT6L07411</b>		Tire - 20x10-10 6 Ply Turf Master	2	
----	-------------------	--	-----------------------------------	---	--

41	<b>R100-2582</b>	100-2582, 217-120, 217-125	Rim - Rear Tire 10 x 7	2	
----	------------------	----------------------------------	------------------------	---	--

42	<b>R232-27</b>	232-27, 232-31	Stem - Valve w/ Cap	2	
----	----------------	-------------------	---------------------	---	--

## Hoses

50	<b>R110-6153</b>	110-6153	Hose	1	
----	------------------	----------	------	---	--

51	<b>R100-5607</b>	100-5607	Hose	1	
----	------------------	----------	------	---	--

52	<b>R100-5579</b>	100-5579	Hydraulic Hose Assy	1	
----	------------------	----------	---------------------	---	--

53	<b>R92-7538</b>	92-7538	Hydraulic Hose Assy	1	
----	-----------------	---------	---------------------	---	--

54	<b>R92-7539</b>	92-7539	Hydraulic Hose Assy	1	
----	-----------------	---------	---------------------	---	--

55	<b>R100-5617</b>	100-5617	Hydraulic Hose Assy	1	
----	------------------	----------	---------------------	---	--

56	<b>R100-5614</b>	100-5614	Hydraulic Hose Assy	1	
----	------------------	----------	---------------------	---	--

57	<b>R104-3502</b>	104-3502	Hydraulic Hose Assy	1	
----	------------------	----------	---------------------	---	--

58	<b>R104-2237</b>	104-2237	Hydraulic Hose Assy	1	
----	------------------	----------	---------------------	---	--

## Other Parts Available

71	<b>R340-142</b>	340-142, 95-1692	Hydraulic Fitting - 90 Deg	2	
----	-----------------	---------------------	----------------------------	---	--

72	<b>R237-58</b>	237-58	O-Ring	6	
----	----------------	--------	--------	---	--

All original equipment manufacturers names and part numbers are used for identification purposes only, and we are in no way implying that our products are original equipment parts. Prices subject to change without notice.



# Replaces Toro Groundsmaster 4000-D Parts

Rotary Mower - Model 30410  
Rear Wheels



Item No	R&R Part No.	OEM Part No.	Description	Qty Req	Order Quantity
73	<b>R237-81</b>	237-81, 237.81, 327-81	O-Ring	4	
74	<b>R340-2</b>	340-2, 60-1920	Hydraulic Fitting - Striaight	1	
75	<b>R237-22</b>	107-8844, 237-22, 237-78	O-Ring	6	
76	<b>R237-42</b>	237-42, 31-4160	O-Ring	2	
77	<b>R353-989</b>	353-989	Plug - Hex - Hollow	1	
78	<b>R105-0775</b>	105-0775	Steering Cylinder	1	
79	<b>R106-6774</b>	106-6774, 92-5838, 92-5838-01	Ball Joint	1	
80	<b>R100-3795</b>	100-3795	Ball Joint	1	
81	<b>R32151-104</b>	32151-104	Ring - Retaining, Ex	2	
82	<b>R302-60</b>	302-60	Zerk - Grease 90 Deg.	1	
83	<b>R302-5</b>	21-6010, 302-11, 302-37, 302-47, 302-5, 302-57, 302-58, 302-6, 31-0300, 32-9660, 60-0800, 62-3880, 92-4181	Fitting - Grease	3	
84	<b>R100-3796</b>	100-3796	Spacer - Ball Joint	1	
85	<b>R340-54</b>	340-54	Fitting - Elbow - 45 Deg	2	

All original equipment manufacturers names and part numbers are used for identification purposes only, and we are in no way implying that our products are original equipment parts. Prices subject to change without notice.



# Replaces Toro Groundsmaster 4000-D Parts

Rotary Mower - Model 30410  
Rear Wheels



Item No	R&R Part No.	OEM Part No.	Description	Qty Req	Order Quantity
86	<b>R325-7</b>	01-150-0380, 01-178-0814, 3226-3, 325-7, 48-9490	Bolt - 1/2-13 x 1 3/4 Hex HD Gr 5	2	
87	<b>R3256-26</b>	01-166-0540, 01-166-0820, 17-2530, 24-13-BD, 30-8570, 3256-26, 356206, 48-9390	Washer - 1/2 in	2	
88	<b>R354-77</b>	354-77	Fitting-Quick	1	
89	<b>R100-5600</b>	100-5600	Valve-Check	1	
90	<b>R99-7371</b>	99-7371	Connector-Tee	3	
91	<b>R3272-12</b>	01-151-0090, 28-19-D, 3272-12	Pin - Cotter 1/8 x 1-1/4	1	
92	<b>R340-15</b>	340-15	Hydraulic Fitting - 90 Deg	2	
93	<b>R237-146</b>	237-146, 340-146	O-Ring	2	
95	<b>R354-79</b>	354-79	Cap-Dust	1	
96	<b>R340-103</b>	340-103, 340-137	Hydraulic Fitting - 45 Deg	2	
97	<b>R237-21</b>	237-21, 327-21	O-Ring	1	
98	<b>R340-9</b>	340-9	Fitting - Straight Connector	2	
99	<b>R354-121</b>	354-121, 92-1665	Fitting-Straight	1	
100	<b>R340-4</b>	340-4	Hydraulic Fitting - Male Connector	1	

All original equipment manufacturers names and part numbers are used for identification purposes only, and we are in no way implying that our products are original equipment parts. Prices subject to change without notice.



# Replaces Toro Groundsmaster 4000-D Parts

*Rotary Mower - Model 30410  
Rear Wheels*



Item No	R&R Part No.	OEM Part No.	Description	Qty Req	Order Quantity
101	<b>R237-30</b>	23-6320, 237-30	O-Ring - Seal	1	
102	<b>R237-79</b>	237-79	O-Ring	2	
103	<b>R106-1113</b>	100-3852, 106-1113	Tie Rod End Assy RH Thread	2	
104	<b>R98-7077</b>	98-7077	Axle Pin - Rear	1	
105	<b>R323016</b>	302-33, 323016	Zerk - Grease	2	
106	<b>R92-1765</b>	92-1765	Washer - Thrust	1	
107	<b>R32144-14</b>	32104-32, 32104-49, 32144-14	Bolt - Hex Washer 5/16-18 x 5/8	1	

All original equipment manufacturers names and part numbers are used for identification purposes only, and we are in no way implying that our products are original equipment parts. Prices subject to change without notice.