

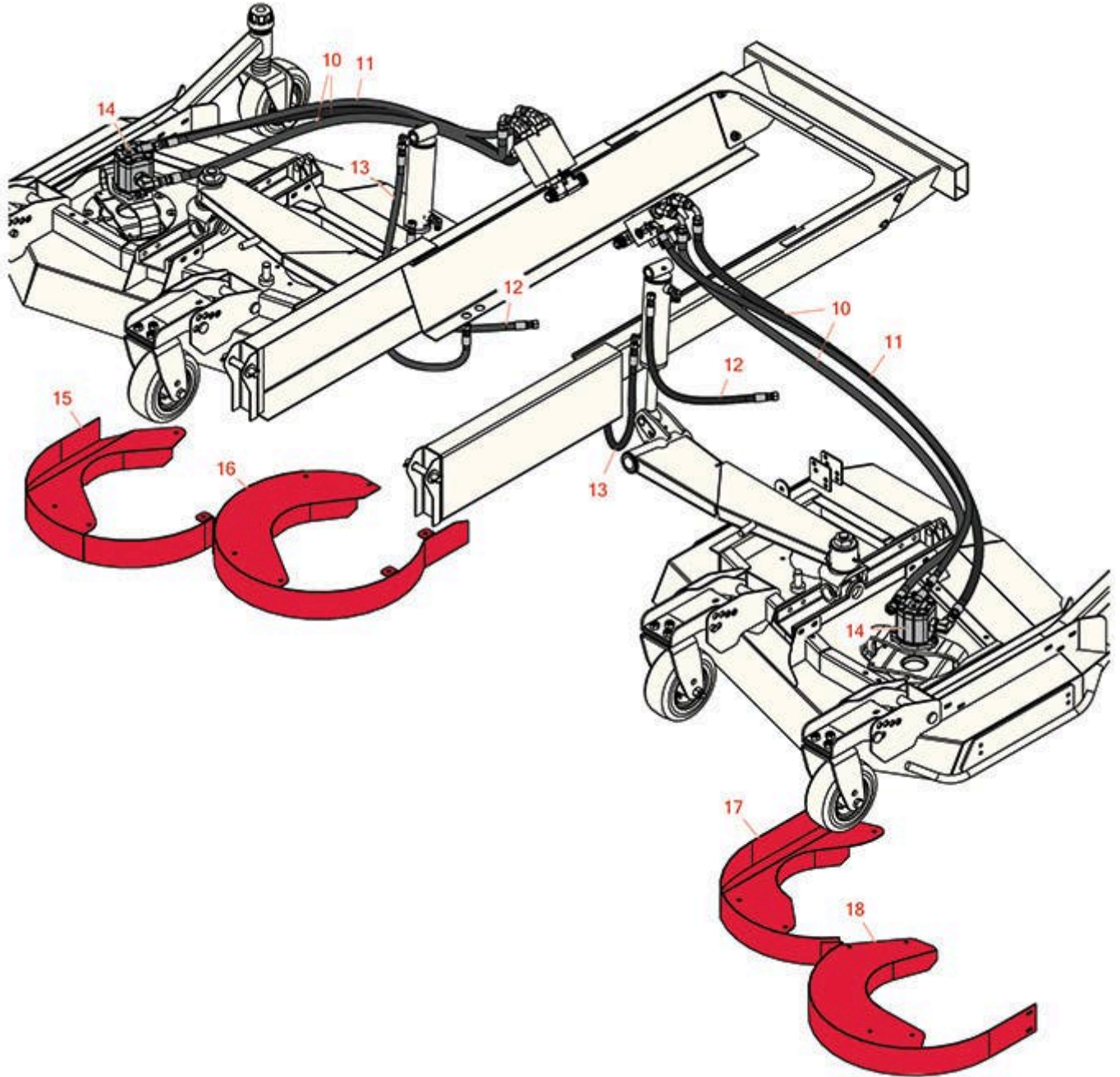


# Replaces Toro Groundsmaster 4000-D Parts



Rotary Mower - Model 30412

Right-Hand & Left-Hand Deck Hydraulics and Discharge  
Chambers



All original equipment manufacturers names and part numbers are used for identification purposes only, and we are in no way implying that our products are original equipment parts. Prices subject to change without notice.



# Replaces Toro Groundsmaster 4000-D Parts

Rotary Mower - Model 30412

Right-Hand & Left-Hand Deck Hydraulics and Discharge  
Chambers



Item No	R&R Part No.	OEM Part No.	Description	Qty Req	Order Quantity
10	<b>R104-2263</b>	104-2263	Hydraulic Hose Assy	4	
<i>Tech Note: 30410/30412/30448:</i>					
11	<b>R104-2265</b>	104-2265	Hydraulic Hose Assy	2	
12	<b>R100-5629</b>	100-5629	Hydraulic Hose Assy	2	
<i>Tech Note: 30410/30412/30448:</i>					
13	<b>R100-5630</b>	100-5630	Hydraulic Hose Assy	2	
<i>Tech Note: 30410/30412/30448:</i>					
14	<b>R99-5489</b>	99-5489	Hydraulic Motor	2	
<i>Tech Note: 30410/30412/30448/30605_2013/ 30609_2013:</i>					
15	<b>R104-2203-01</b>	104-2203-01	Outer Chamber Assy	1	
<i>Tech Note: 30410/30412/30448_2010-2011yr:</i>					
16	<b>R104-2204-01</b>	104-2204-01	Inner Chamber Assy	1	
<i>Tech Note: 30410/30412/30448/30605_2013-2015/30609_2013-2015:</i>					
17	<b>R104-2205-01</b>	104-2205-01	Inner Chamber Assy	1	
<i>Tech Note: 30410/30412/30448/30605_2013-2015/30609_2013-2015:</i>					
18	<b>R104-2206-01</b>	104-2206-01	Outer Chamber Assy	1	
<i>Tech Note: 30410/30412/30448:</i>					

All original equipment manufacturers names and part numbers are used for identification purposes only, and we are in no way implying that our products are original equipment parts. Prices subject to change without notice.