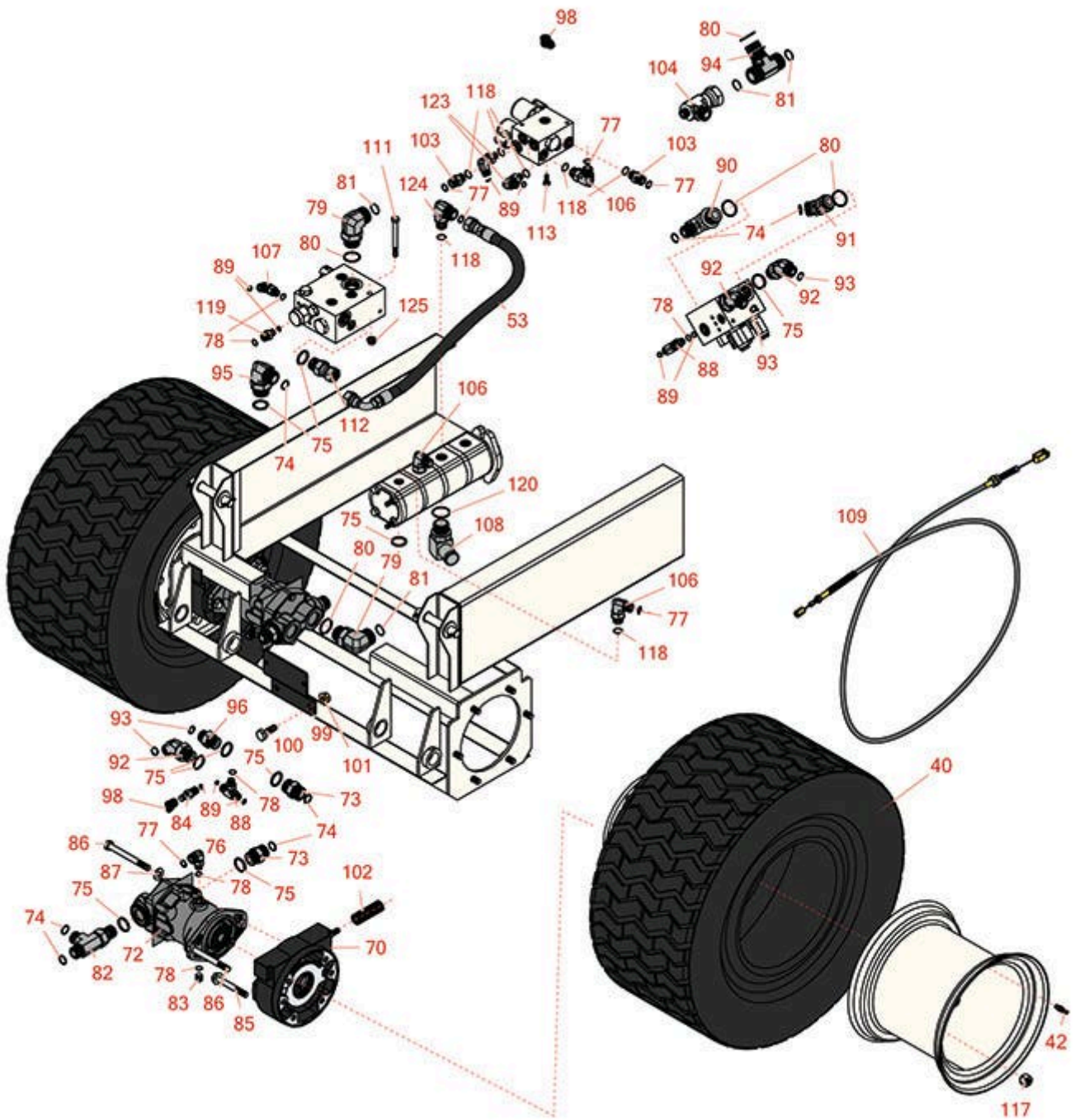




# Replaces Toro Groundsmaster 4000-D Parts

Rotary Mower - Model 30412  
Planetary, Brake And Tire Assembly



All original equipment manufacturers names and part numbers are used for identification purposes only, and we are in no way implying that our products are original equipment parts. Prices subject to change without notice.



# Replaces Toro Groundsmaster 4000-D Parts

Rotary Mower - Model 30412  
Planetary, Brake And Tire Assembly



| Item No | R&R Part No. | OEM Part No. | Description | Qty Req | Order Quantity |
|---------|--------------|--------------|-------------|---------|----------------|
|---------|--------------|--------------|-------------|---------|----------------|

## Tires & Wheels

|    |                  |                                   |  |   |  |
|----|------------------|-----------------------------------|--|---|--|
| 40 | <b>RCT574377</b> | 119-8313,<br>126-8033,<br>99-5434 | Tire - 26x12.00-12 Nhs (6 Ply) Carlisle Multi Trac C/S | 2 |  |
| 42 | <b>R232-27</b>   | 232-27,<br>232-31                 | Stem - Valve w/ Cap                                    | 2 |  |

## Hoses

|    |                 |         |                     |   |  |
|----|-----------------|---------|---------------------|---|--|
| 53 | <b>R95-0961</b> | 95-0961 | Hydraulic Hose Assy | 1 |  |
|----|-----------------|---------|---------------------|---|--|

## Other Parts Available

|    |                     |                              |                              |    |  |
|----|---------------------|------------------------------|------------------------------|----|--|
| 70 | <b>R100-3070-03</b> | 100-3070-03                  | Brake Assy - LH              | 1  |  |
| 70 | <b>R100-3069-03</b> | 100-3069-03                  | Brake Assy - RH              | 1  |  |
| 72 | <b>R100-3052</b>    | 100-3052                     | Piston Motor Assy - Front    | 2  |  |
| 73 | <b>R340-9</b>       | 340-9                        | Fitting - Straight Connector | 4  |  |
| 74 | <b>R237-58</b>      | 237-58                       | O-Ring                       | 9  |  |
| 75 | <b>R237-81</b>      | 237-81,<br>237.81,<br>327-81 | O-Ring                       | 12 |  |
| 76 | <b>R340-99</b>      | 340-99                       | Hydraulic Fitting - 90 Deg   | 3  |  |
| 77 | <b>R237-30</b>      | 23-6320,<br>237-30           | O-Ring - Seal                | 15 |  |
| 78 | <b>R237-42</b>      | 237-42,<br>31-4160           | O-Ring                       | 9  |  |
| 79 | <b>R340-129</b>     | 340-129                      | Hydraulic Fitting - 90 Deg   | 2  |  |
| 80 | <b>R237-146</b>     | 237-146,<br>340-146          | O-Ring                       | 6  |  |
| 81 | <b>R340-65</b>      | 340-65                       | O-Ring                       | 4  |  |

All original equipment manufacturers names and part numbers are used for identification purposes only, and we are in no way implying that our products are original equipment parts. Prices subject to change without notice.



# Replaces Toro Groundsmaster 4000-D Parts

Rotary Mower - Model 30412  
Planetary, Brake And Tire Assembly



| Item No | R&R Part No.      | OEM Part No.  | Description                           | Qty Req | Order Quantity |
|---------|-------------------|---|---------------------------------------|---------|----------------|
| 82      | <b>R340-148</b>   | 340-148   | Fitting-Tee                           | 1       |                |
| 83      | <b>R353-989</b>   | 353-989   | Plug - Hex - Hollow                   | 1       |                |
| 84      | <b>R354-77</b>    | 354-77  | Fitting-Quick                         | 1       |                |
| 85      | <b>R33106-090</b> | 33106-090   | Bolt - M12-1.75 x 90 Fl Hex HD Gr 8.8 | 4       |                |
| 86      | <b>R33116-120</b> | 33116-120   | Bolt - M12-1.75 x 120mm Hx HD         | 4       |                |
| 87      | <b>R3256-26</b>   | 01-166-0540,<br>01-166-0820,<br>17-2530,<br>24-13-BD,<br>30-8570,<br>3256-26,<br>356206,<br>48-9390 | Washer - 1/2 in                       | 8       |                |
| 88      | <b>R340-94</b>    | 340-94  | Adapter                               | 2       |                |
| 89      | <b>R237-22</b>    | 107-8844,<br>237-22,<br>237-78  | O-Ring                                | 9       |                |
| 90      | <b>R340-15</b>    | 340-15  | Hydraulic Fitting - 90 Deg            | 1       |                |
| 91      | <b>R100-5530</b>  | 100-5530,<br>98-0657  | Hydraulic Fitting - 45 Deg            | 1       |                |
| 92      | <b>R340-156</b>   | 340-156   | Hydraulic Fitting                     | 3       |                |
| 93      | <b>R237-65</b>    | 237-65,<br>237.65   | O-Ring                                | 4       |                |
| 94      | <b>R104-7501</b>  | 104-7501  | Hydraulic Fitting                     | 1       |                |
| 95      | <b>R340-142</b>   | 340-142,<br>95-1692   | Hydraulic Fitting - 90 Deg            | 1       |                |
| 96      | <b>R340-8</b>     | 340-8   | Adapter                               | 1       |                |
| 98      | <b>R354-79</b>    | 354-79  | Cap-Dust                              | 2       |                |

All original equipment manufacturers names and part numbers are used for identification purposes only, and we are in no way implying that our products are original equipment parts. Prices subject to change without notice.



# Replaces Toro Groundsmaster 4000-D Parts

Rotary Mower - Model 30412  
Planetary, Brake And Tire Assembly



| Item No | R&R Part No.        | OEM Part No.  | Description                        | Qty Req | Order Quantity |
|---------|---------------------|---|------------------------------------|---------|----------------|
| 99      | <b>R104-0746-03</b> | 104-0746-03   | Bracket - Manifold                 | 1       |                |
| 100     | <b>R400408</b>      | 01-150-0090,<br>01-178-0812,<br>20-87-AD,<br>20-87-AGD,<br>20-87-AGF,<br>3226-2,<br>325-6,<br>513376,<br>513378 | Bolt - Hex HD 1/2-13 x 1-1/2       | 8       |                |
| 101     | <b>R32128-23</b>    | 32128-23,<br>3218-23,<br>99-5107  | Nut - Lock Hex Flanged 1/2-13      | 8       |                |
| 102     | <b>R94-3088</b>     | 94-3088   | Spring - Compression               | 2       |                |
| 103     | <b>R340-4</b>       | 340-4   | Hydraulic Fitting - Male Connector | 2       |                |
| 104     | <b>R115-8472</b>    | 115-8472  | Hydraulic Fitting - Tee            | 1       |                |
| 106     | <b>R340-98</b>      | 340-98  | Hydraulic Fitting                  | 3       |                |
| 107     | <b>R340-77</b>      | 340-100,<br>340-77,<br>95-7889  | Hydraulic Fitting                  | 1       |                |
| 108     | <b>R92-7526</b>     | 92-7526   | Hydraulic Fitting - 90 Deg         | 1       |                |
| 109     | <b>R99-5501</b>     | 99-5501   | Brake Cable Assy                   | 2       |                |
| 111     | <b>R323-42</b>      | 01-178-0630,<br>323-42  | Bolt - Hx HD 3/8-16 x 3 3/4        | 1       |                |
| 112     | <b>R106-2009</b>    | 106-2009  | Hydraulic Fitting - Swivel         | 1       |                |
| 113     | <b>R322-3</b>       | 01-150-1420,<br>01-178-0506,<br>20-24-AD,<br>20-24-AGD,<br>322-3,<br>48-9270,<br>513339,<br>908017P             | Bolt - Hex HD 5/16-18 x 3/4        | 2       |                |

All original equipment manufacturers names and part numbers are used for identification purposes only, and we are in no way implying that our products are original equipment parts. Prices subject to change without notice.



# Replaces Toro Groundsmaster 4000-D Parts

*Rotary Mower - Model 30412  
Planetary, Brake And Tire Assembly*



| Item No | R&R Part No.     | OEM Part No.                                    | Description                    | Qty Req | Order Quantity |
|---------|------------------|---|--------------------------------|---------|----------------|
| 117     | <b>R242-50</b>   | 242-50  | Nut - 1/2-20 Wheel             | 16      |                |
| 118     | <b>R237-79</b>   | 237-79  | O-Ring                         | 10      |                |
| 119     | <b>R340-2</b>    | 340-2,<br>60-1920                               | Hydraulic Fitting - Striaight  | 1       |                |
| 120     | <b>R237-101</b>  | 237-101   | O-Ring                         | 1       |                |
| 123     | <b>R340-18</b>   | 340-18  | Hydraulic Fitting              | 2       |                |
| 124     | <b>R340-16</b>   | 100-8255,<br>340-16                             | Hydraulic Fitting              | 1       |                |
| 125     | <b>R104-8301</b> | 104-8301,<br>104-9301,<br>109-6658,<br>133-7570 | Locknut - 3/8-16 Nylon Flanged | 1       |                |

All original equipment manufacturers names and part numbers are used for identification purposes only, and we are in no way implying that our products are original equipment parts. Prices subject to change without notice.