

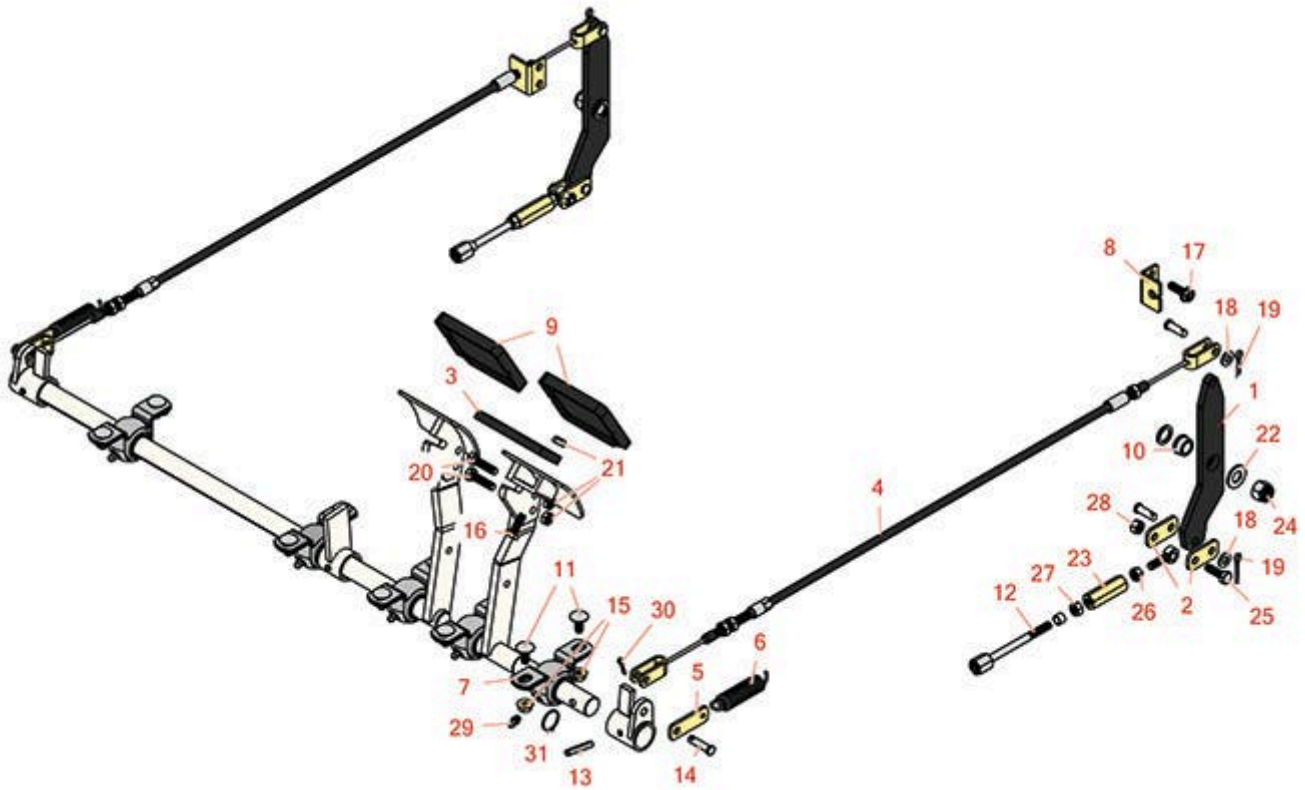


Replaces Toro Groundsmaster 4000-D

Parts

Rotary Mower - Model 30448

Brake Pedal And Linkage



All original equipment manufacturers names and part numbers are used for identification purposes only, and we are in no way implying that our products are original equipment parts. Prices subject to change without notice.



Replaces Toro Groundsmaster 4000-D Parts

Rotary Mower - Model 30448
Brake Pedal And Linkage



Item No	R&R Part No.	OEM Part No.	Description	Qty Req	Order Quantity
1	R119-0105-03	119-0105-03	Lever - Brake	2	
2	R119-0110	119-0110	Link - Brake	4	
3	R93-5568	93-5568	Arm - Lock	1	
4	R119-0113	119-0113	Cable- Brake	2	
5	R100-5540	100-5540	Strap - Brake	2	
6	R93-5262	93-5262	Spring - Extension	2	
7	R93-4849	93-4849, 93-5477	Bearing - Pillow Block	5	
8	R119-0109	119-0109	Bracket - Cable	2	
9	R93-7629	27-7570, 27-7580, 49-6170, 93-7629, 93-8743	Rubber Foot Pad - Brake	2	
10	R105-3455	105-3455	Bushing	2	
11	R3230-1	01-173-0506, 3230-1, 3230-20, 900037P	Bolt - Carriage 5/16-18 x 3/4	10	
12	R119-0106	119-0106	Hex - Link	2	
13	R32121-15	21-7710, 32-8880, 32121-15	Pin - Roll 1/4 x 1-1/2	3	
14	R283-61	283-61, 86-2140, N/A, R3296-12	Pin - Clevis 5/16 x 1-1/8	2	

All original equipment manufacturers names and part numbers are used for identification purposes only, and we are in no way implying that our products are original equipment parts. Prices subject to change without notice.



Replaces Toro Groundsmaster 4000-D Parts

Rotary Mower - Model 30448
Brake Pedal And Linkage



Item No	R&R Part No.	OEM Part No.	Description	Qty Req	Order Quantity
15	R104-8300	104-8300, 104-8300 , 119-4041	Locknut - 5/16-18 Flanged Y/Zinc	10	
16	R322-4	322-4, 3290-115, 908018P	Bolt - Hex HD 5/16-18 x 7/8	1	
17	R32144-11	32104-23, 32104-31, 32104-83, 32140-69, 32140-82, 32144-11	Bolt - 5/16-18 x 1 Hx Fl Tf	4	
18	R453009	01-166-0400, 24-10-BD, 24-9-AD, 32-9650, 3256-2, 3256-23, 3256-3, 3256-67, 3290-217, 3556-3, 4-2390, 7-0152	Washer - Flat 5/16 SAE	2	
19	R3272-10	01-151-0120, 105-7512, 3272-10, N/A	Pin - Cotter 1/8 x 3/4	4	
20	R400190	01-150-0720, 01-178-0510, 30-8680, 322-6, 513343	Bolt - Hex HD 5/16-18 x 1-1/4 GR5	4	
21	R3296-29	1-804256, 3290-357, 3296-29, 915662P	Locknut - 5/16-18 ESNA	5	

All original equipment manufacturers names and part numbers are used for identification purposes only, and we are in no way implying that our products are original equipment parts. Prices subject to change without notice.



Replaces Toro Groundsmaster 4000-D Parts



Rotary Mower - Model 30448
Brake Pedal And Linkage

Item No	R&R Part No.	OEM Part No.	Description	Qty Req	Order Quantity
22	R3256-26	01-166-0540, 01-166-0820, 17-2530, 24-13-BD, 30-8570, 3256-26, 356206, 48-9390	Washer - 1/2 in	2	
23	R119-0112	119-0112	Hex - Link	2	
24	RF5003	32127-29, 32131-5, 32132-5, 3296-23	Locknut - ESNA 1/2-13	2	
25	R322-5	01-178-0508, 20-26-AD, 20-26-AGD, 30-9000, 322-5, 513341, 519755, 908019P, N/A	Bolt - Hex HD 5/16-18 x 1	2	
26	R3220-20	3220-20	Nut - Jam - 5/16-24 LH	2	
27	R3220-2	01-191-0524, 3220-2	Nut - Jam - 5/16-24	2	
28	R3296-47	3296-47	Locknut - 5/16-18 Jam Nyloc	2	
29	R302-5	21-6010, 302-11, 302-37, 302-47, 302-5, 302-57, 302-58, 302-6, 31-0300, 32-9660, 60-0800, 62-3880, 92-4181	Fitting - Grease	5	

All original equipment manufacturers names and part numbers are used for identification purposes only, and we are in no way implying that our products are original equipment parts. Prices subject to change without notice.



Replaces Toro Groundsmaster 4000-D Parts

*Rotary Mower - Model 30448
Brake Pedal And Linkage*



Item No	R&R Part No.	OEM Part No.	Description	Qty Req	Order Quantity
30	R1023-4	01-151-0150, 1023-4, 19-6220, 214-14, 215-54, 28-9-D, 3272-4, 3272-6, 513567, 932008P	Pin - Cotter 3/32 x 3/4	2	
31	R1056	31-3150, 32-9020, 32120-32, 32151-83	Ring - Snap Reel	3	

All original equipment manufacturers names and part numbers are used for identification purposes only, and we are in no way implying that our products are original equipment parts. Prices subject to change without notice.