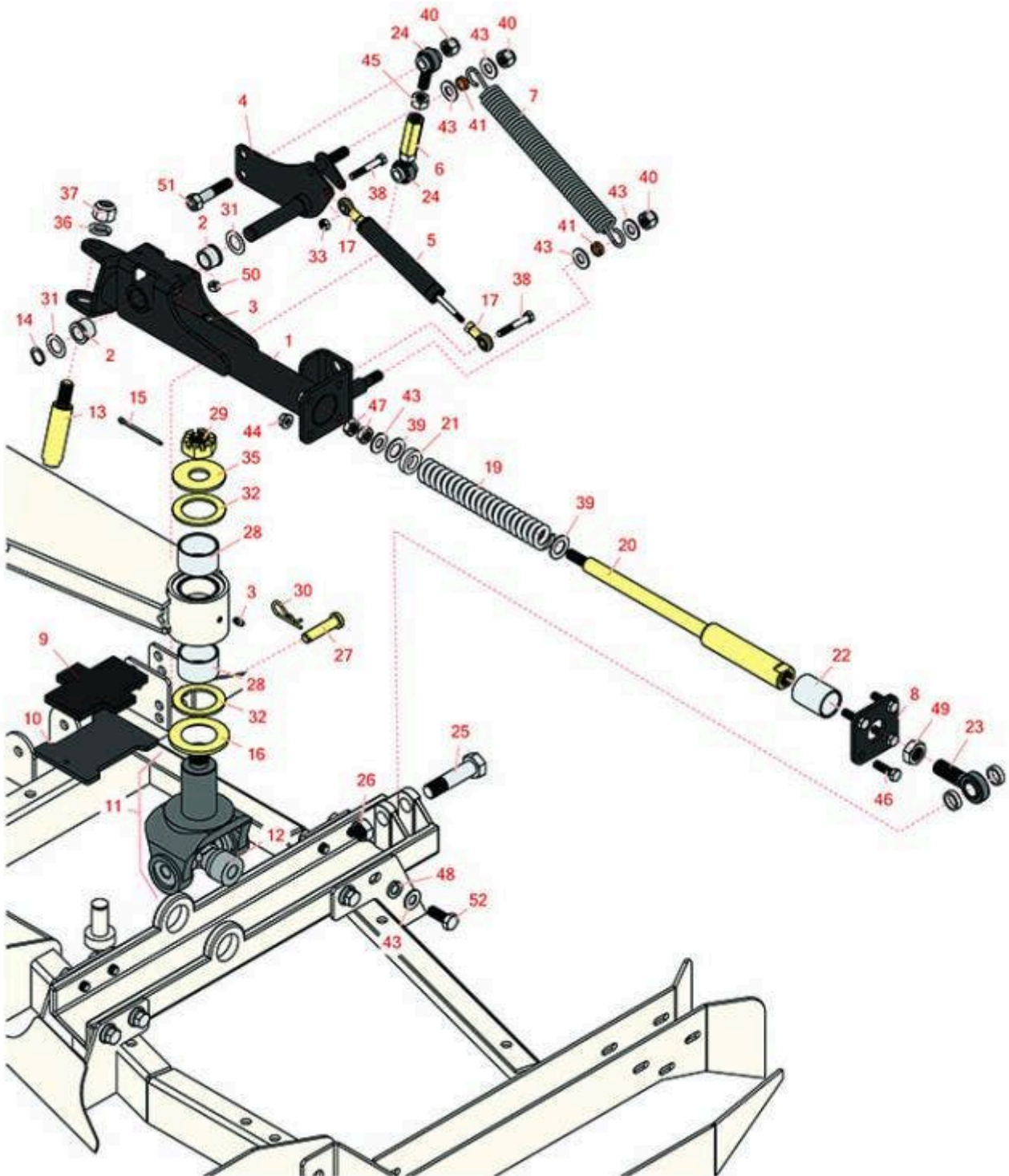




# Replaces Toro Groundsmaster 4000-D Parts

Rotary Mower - Model 30412  
Side Deck Lift Arm and Damper



All original equipment manufacturers names and part numbers are used for identification purposes only, and we are in no way implying that our products are original equipment parts. Prices subject to change without notice.



# Replaces Toro Groundsmaster 4000-D Parts

Rotary Mower - Model 30412  
Side Deck Lift Arm and Damper



Item No	R&R Part No.	OEM Part No.	Description	Qty Req	Order Quantity
1	<b>R108-1471</b>	105-2800, 108-1471	Rear Arm Assy - RH	1	
1	<b>R108-1473</b>	105-2801, 108-1473	Rear Arm Assy - LH	1	
2	<b>R256-113</b>	256-113	Bushing - 3/4 ID x 1 1/8 Flange	4	
3	<b>R302-5</b>	21-6010, 302-11, 302-37, 302-47, 302-5, 302-57, 302-58, 302-6, 31-0300, 32-9660, 60-0800, 62-3880, 92-4181	Fitting - Grease	2	
4	<b>R108-1476-03</b>	100-5690-03, 108-1476-03, 114-2717	LH Bell Crank Assy	1	
4	<b>R108-1475-03</b>	100-5684-03, 108-1475-03, 114-2716	RH Bell Crank Assy	1	
5	<b>R105-3249</b>	104-7512, 105-3249	Damper	2	
6	<b>R105-2809</b>	105-2809	Tube - Link	2	
7	<b>R104-7520</b>	104-7520	Spring - Damper	2	
8	<b>R105-2807-03</b>	105-2807-03	Plate	2	
9	<b>R104-8348</b>	104-8348	Plate-Rubber	2	
10	<b>R108-1528-03</b>	108-1528-03	Plate	2	
11	<b>R104-0705-03</b>	104-0705-03	Yoke-Joint Assy w/Bearing	2	

All original equipment manufacturers names and part numbers are used for identification purposes only, and we are in no way implying that our products are original equipment parts. Prices subject to change without notice.



# Replaces Toro Groundsmaster 4000-D Parts

*Rotary Mower - Model 30412  
Side Deck Lift Arm and Damper*



Item No	R&R Part No.	OEM Part No.	Description	Qty Req	Order Quantity
12	<b>R104-4299</b>	104-4299	Cross and Bearing	2	
13	<b>R104-2281</b>	104-2281	Shaft- Pivot	2	
14	<b>R32120-93</b>	32120-93	Snap Ring - HD	2	
15	<b>R3272-25</b>	01-151-0020, 3272-25	Pin-Cotter	2	
16	<b>R104-0720</b>	104-0720	Spacer	2	
17	<b>R104-8331</b>	104-8331	Rod End - Spherical	4	
19	<b>R100-8138</b>	100-8138	Spring-Compression	2	
20	<b>R105-4548</b>	105-4548	Shaft - Spring	2	
21	<b>R105-4552</b>	105-4552	Bearing - Plastic	2	
22	<b>R105-4550</b>	105-4550	Bushing - Straight	2	
23	<b>R105-2806</b>	105-2806	Rod End	2	
24	<b>R105-2808</b>	105-2808	Rod End	4	
25	<b>R328-5</b>	01-150-0690, 01-178-1228, 328-5	Bolt - Hx HD 3/4-10 x 3 1/2	2	
26	<b>R3296-51</b>	3296-51, 3296-81	Nut - Nylon Lock 3/4-10 Gr 8	2	
27	<b>R92-2739</b>	92-2739	Pin - Clevis	2	
28	<b>R104-8341</b>	104-8341	Bushing - 1 1/4 in Straight	4	
29	<b>R32136-11</b>	30-4700, 32136-11	Nut-Hex, Slot	2	
30	<b>R3290-467</b>	3290-467	Pin-Hair	2	

All original equipment manufacturers names and part numbers are used for identification purposes only, and we are in no way implying that our products are original equipment parts. Prices subject to change without notice.



# Replaces Toro Groundsmaster 4000-D Parts

*Rotary Mower - Model 30412  
Side Deck Lift Arm and Damper*



Item No	R&R Part No.	OEM Part No.	Description	Qty Req	Order Quantity
31	<b>R3-6498</b>	3--6498, 3-6498, 47-8270	Washer - Thrust	4	
32	<b>R104-0721</b>	104-0721	Washer - Thrust	4	
33	<b>R3296-29</b>	1-804256, 3290-357, 3296-29, 915662P	Locknut - 5/16-18 ESNA	4	
35	<b>R104-0719</b>	104-0719	Washer - Hardened	2	
36	<b>RF104</b>	01-166-0020, 01-166-1010, 23-15-GD, 30-8480, 3253-8, 48-9400	Washer - Lock 5/8	2	
37	<b>R3296-53</b>	3296-53	Locknut - 5/8-11 ESNA Yellow	2	
38	<b>R322-10</b>	20-30-AD, 24-7180, 322-10, 322-10 , 3223-6, 513347	Bolt - Hex HD 5/16-18 x 2	4	
39	<b>R105-4551</b>	105-4551	Washer- Flat	4	
40	<b>RF5003</b>	32127-29, 32131-5, 32132-5, 3296-23	Locknut - ESNA 1/2-13	6	
41	<b>R104-7521</b>	104-7521	Bushing	4	

All original equipment manufacturers names and part numbers are used for identification purposes only, and we are in no way implying that our products are original equipment parts. Prices subject to change without notice.



# Replaces Toro Groundsmaster 4000-D Parts

Rotary Mower - Model 30412  
Side Deck Lift Arm and Damper



Item No	R&R Part No.	OEM Part No.	Description	Qty Req	Order Quantity
43	R3256-26	01-166-0540, 01-166-0820, 17-2530, 24-13-BD, 30-8570, 3256-26, 356206, 48-9390	Washer - 1/2 in	26	
44	R3296-39	32127-25, 32128-36, 3290-357, 3296-17, 3296-22, 3296-39, 915663P, 99-7443	Locknut - 3/8-16 Nylon	8	
45	RMM607	01-158-0610, 01-191-0820, 21-3900, 3220-5, 45-0170, 5/1/3220	Nut - Jam 1/2-20 Zinc	2	
46	R400264	01-150-0180, 01-178-0610, 20-48-AD, 20-48-AGD, 32-9160, 3224-3, 323-29, 323-7, 400264, 908035P	Bolt - Hex HD 3/8-16 x 1-1/4	8	
47	R443118	01-188-0813, 22-15-AJD, 3217-9	Nut - 1/2-13 Zinc	4	
48	R3253-7	01-166-0030, 01-166-0080, 01-166-0290, 01-166-0810, 23-13-GD, 3253-7, 48-9380	Washer - Lock 1/2	8	

All original equipment manufacturers names and part numbers are used for identification purposes only, and we are in no way implying that our products are original equipment parts. Prices subject to change without notice.



# Replaces Toro Groundsmaster 4000-D Parts

*Rotary Mower - Model 30412  
Side Deck Lift Arm and Damper*



Item No	R&R Part No.	OEM Part No.	Description	Qty Req	Order Quantity
49	<b>R3220-7</b>	01-191-1216, 3220-7, Mar-03	Nut - 3/4-16 Jam Zinc	2	
50	<b>R301504</b>	2296-42, 301504, 32127-24, 32128-33, 32146-17, 3296-16, 3296-42, 3296-42 , 915661P	Locknut - ESNA 1/4-20	6	
51	<b>R325-8</b>	01-150-0590, 01-178-0816, 20-89-AGD, 3226-4, 325-8	Bolt	2	
52	<b>R325-5</b>	01-150-0250, 01-178-0810, 19-8000, 20-86-AGD, 3226-1, 325-5, 513375	Bolt - Hex HD 1/2-13 x 1-1/4	8	

All original equipment manufacturers names and part numbers are used for identification purposes only, and we are in no way implying that our products are original equipment parts. Prices subject to change without notice.