

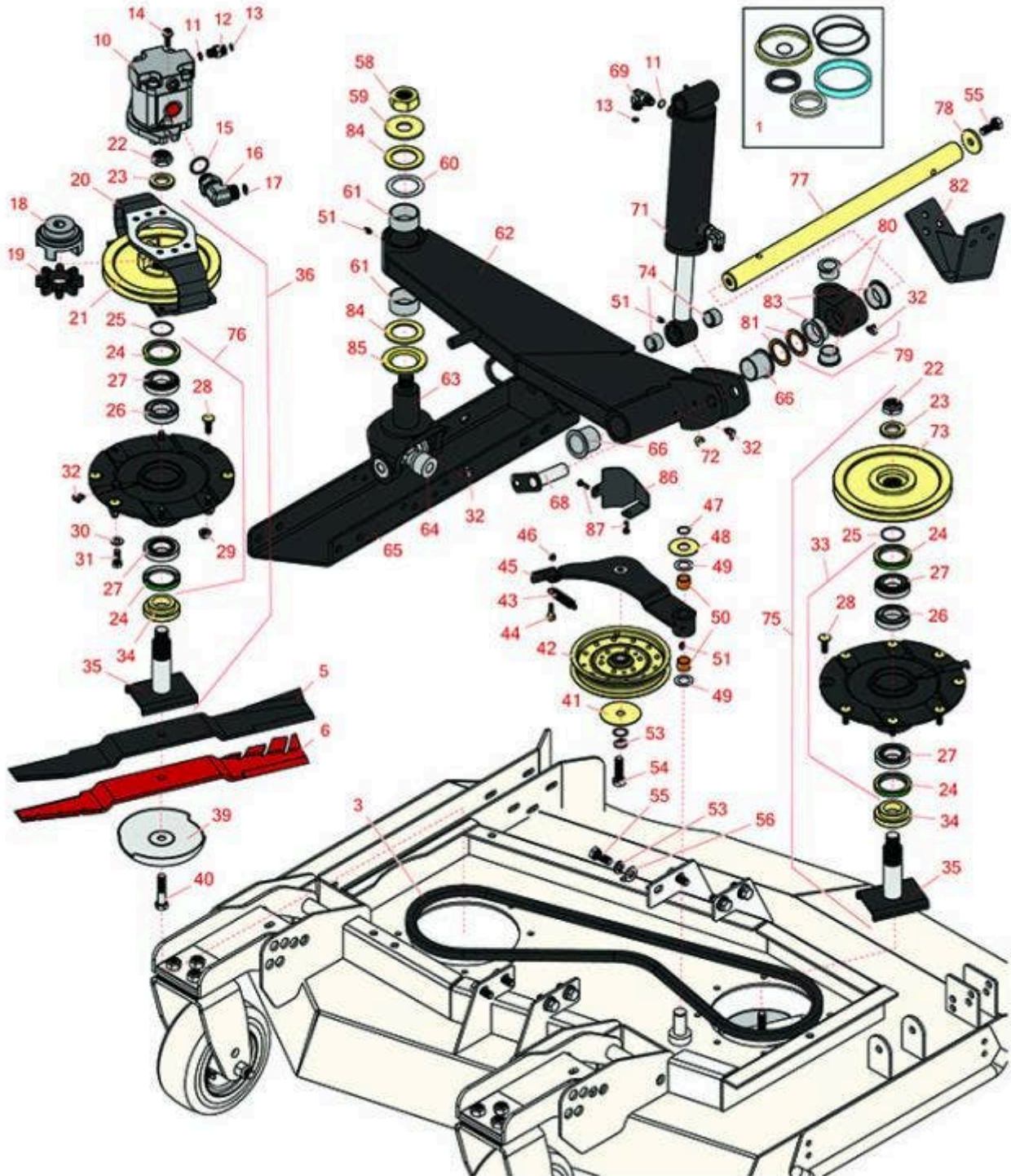


# Replaces Toro Groundsmaster 4000-D

## Parts

Rotary Mower - Model 30448

Right-Hand Deck Lift Arms and Spindle



All original equipment manufacturers names and part numbers are used for identification purposes only, and we are in no way implying that our products are original equipment parts. Prices subject to change without notice.



# Replaces Toro Groundsmaster 4000-D Parts

Rotary Mower - Model 30448  
Right-Hand Deck Lift Arms and Spindle



Item No	R&R Part No.	OEM Part No.	Description	Qty Req	Order Quantity
<b>Overhaul Kit</b>					
1	<b>R107-0249</b>	107-0249	Seal Kit - Fits R107-4303 Cyl	1	
3	<b>R55-7660</b>	108-8076	Belt - V Rotary Deck	1	
<b>Rotary Blades Availble</b>					
5	<b>R92-5608</b>	92-5608, 92-5608-03	Mower Blade - 21.75 in	2	
6	<b>R92-5608M</b>	104-1303, 107-0214-03	Mower Blade - Mulcher 21.75	1	
<b>Other Parts Available</b>					
10	<b>R127-3694</b>	127-3694	Hydraulic Motor	1	
<i>Tech Note: 314000001-314999999 and Newer:</i>					
10	<b>R99-5489</b>	99-5489	Hydraulic Motor	1	
<i>Tech Note: 313000001-313999999:</i>					
11	<b>R237-42</b>	237-42, 31-4160	O-Ring	1	
12	<b>R340-2</b>	340-2, 60-1920	Hydraulic Fitting - Striaight	1	
13	<b>R237-22</b>	107-8844, 237-22, 237-78	O-Ring	3	
14	<b>R3234-42</b>	3234-42	Bolt - 3/8-16 x 1 Hx HD Fl	2	
15	<b>R237-81</b>	237-81, 237.81, 327-81	O-Ring	2	
16	<b>R340-139</b>	340-139	Hydraulic Fitting - 90 Deg	2	
17	<b>R237-65</b>	237-65, 237.65	O-Ring	2	

All original equipment manufacturers names and part numbers are used for identification purposes only, and we are in no way implying that our products are original equipment parts. Prices subject to change without notice.



# Replaces Toro Groundsmaster 4000-D Parts

Rotary Mower - Model 30448

Right-Hand Deck Lift Arms and Spindle



Item No	R&R Part No.	OEM Part No.	Description	Qty Req	Order Quantity
18	<b>R104-3541</b>	104-3541	Hub - Drive	1	
19	<b>R104-3542</b>	104-3542	Spider	1	
20	<b>R104-3544</b>	104-3544	Mount - Motor Drive	1	
21	<b>R104-3545</b>	104-3545	Pulley - Drive	1	
22	<b>R32127-46</b>	32127-46, 3296-60	Locknut	2	
23	<b>R104-8322</b>	104-8322, 120-5576	Washer - Spindle Shaft Hardened	2	
24	<b>R253-154</b>	253-154	Seal - Spindle	4	
25	<b>R106-7159</b>	106-7159	O-Ring	2	
26	<b>R104-3549</b>	104-3549	Spacer Set - Spindle Bearing	2	
26	<b>R120-5577</b>	120-5577	Bearing Spacer Set - Ground	2	
<i>Tech Note: Fits 30448N only:</i>					
27	<b>R110-8297</b>	110-8297, 26-1830	Bearing Set w/Retaining Rings - Spindle	2	
28	<b>R114-8195</b>	114-8195, R & R ONLY	Bolt- Ribbed Neck	12	
29	<b>R104-8301</b>	104-8301, 104-9301, 109-6658, 133-7570	Locknut - 3/8-16 Nylon Flanged	12	

All original equipment manufacturers names and part numbers are used for identification purposes only, and we are in no way implying that our products are original equipment parts. Prices subject to change without notice.



# Replaces Toro Groundsmaster 4000-D Parts



Rotary Mower - Model 30448  
Right-Hand Deck Lift Arms and Spindle

Item No	R&R Part No.	OEM Part No.	Description	Qty Req	Order Quantity
30	<b>R453011</b>	01-166-0100, 01-166-0120, 01-166-0270, 01-166-0500, 01-166-0600, 01-166-0620, 132-4593, 2356-3, 237-12, 24-10-AD, 24-11-AD, 24-11-BD, 24-12-AD, 24-12-BD, 30-9310, 32-8190, 3256-24, 3256-3, 3256-36, 3256-4, 453011, 47-9950, 48-9220, 513458, 7-0052	Washer - Flat 3/8 SAE Y/Zinc	9	
31	<b>R323-6</b>	01-150-0010, 01-178-0608, 20-47-AD, 20-47-AGD, 3224-2, 323-6, 49-3510, 908034P, 908332	Bolt - Hex HD 3/8-16 x 1 GR5 YZ	4	
32	<b>R302-60</b>	302-60	Zerk - Grease 90 Deg.	4	
33	<b>R119-4775</b>	119-4775	Spindle Housing Assy	1	
34	<b>R92-9800</b>	69-6950, 69-6980, 92-9800	Spacer - Spindle	2	
35	<b>R104-3554</b>	104-3554	Shaft - Spindle Assy.	2	

All original equipment manufacturers names and part numbers are used for identification purposes only, and we are in no way implying that our products are original equipment parts. Prices subject to change without notice.



# Replaces Toro Groundsmaster 4000-D Parts

*Rotary Mower - Model 30448  
Right-Hand Deck Lift Arms and Spindle*



Item No	R&R Part No.	OEM Part No.	Description	Qty Req	Order Quantity
36	<b>R119-4547</b>	104-3529, 119-4547, 139-1035	Driving Spindle Assy	1	
39	<b>R72-9361</b>	27-1000, 27-1001, 72-9360, 72-9361	Cup - Anti-Scalp	2	
40	<b>R92-5816</b>	92-5816	Bolt - Hex HD 1/2-20 x 2-1/4	2	
41	<b>R100-3102</b>	100-3102	Washer-Flat	1	
42	<b>R110-9596</b>	110-9596, 132-9421	Pulley- Flat Idler	1	
43	<b>R107938</b>	107938	Spring - Extension	1	
44	<b>R104-0858</b>	104-0858	Bolt - Shoulder	1	
45	<b>R110-6128</b>	110-6128	Idler Arm Assy	1	
46	<b>R3296-56</b>	3296-56	Nut - Lock - 1/4-20 ESNA Jam	1	
47	<b>R458013</b>	30-0580, 32120-72, 458013, 93-2525, 936125	Ring - Retaining	1	
48	<b>R70-1160</b>	70-1160	Washer	1	
49	<b>R3-6498</b>	3--6498, 3-6498, 47-8270	Washer - Thrust	3	
50	<b>R256-76</b>	256-76	Bushing	2	

All original equipment manufacturers names and part numbers are used for identification purposes only, and we are in no way implying that our products are original equipment parts. Prices subject to change without notice.



# Replaces Toro Groundsmaster 4000-D Parts



Rotary Mower - Model 30448  
Right-Hand Deck Lift Arms and Spindle

Item No	R&R Part No.	OEM Part No.	Description	Qty Req	Order Quantity
51	<b>R302-5</b>	21-6010, 302-11, 302-37, 302-47, 302-5, 302-57, 302-58, 302-6, 31-0300, 32-9660, 60-0800, 62-3880, 92-4181	Fitting - Grease	4	
53	<b>R3253-7</b>	01-166-0030, 01-166-0080, 01-166-0290, 01-166-0810, 23-13-GD, 3253-7, 48-9380	Washer - Lock 1/2	9	
54	<b>R325-7</b>	01-150-0380, 01-178-0814, 3226-3, 325-7, 48-9490	Bolt - 1/2-13 x 1 3/4 Hex HD Gr 5	1	
55	<b>R325-5</b>	01-150-0250, 01-178-0810, 19-8000, 20-86-AGD, 3226-1, 325-5, 513375	Bolt - Hex HD 1/2-13 x 1-1/4	8	
56	<b>R3256-26</b>	01-166-0540, 01-166-0820, 17-2530, 24-13-BD, 30-8570, 3256-26, 356206, 48-9390	Washer - 1/2 in	8	

All original equipment manufacturers names and part numbers are used for identification purposes only, and we are in no way implying that our products are original equipment parts. Prices subject to change without notice.



# Replaces Toro Groundsmaster 4000-D Parts

*Rotary Mower - Model 30448  
Right-Hand Deck Lift Arms and Spindle*



Item No	R&R Part No.	OEM Part No.	Description	Qty Req	Order Quantity
58	<b>R99-3139</b>	11-5800, 99-3139, Nov-00	Nut	1	
59	<b>R104-0719</b>	104-0719	Washer - Hardened	2	
60	<b>R114-5641</b>	114-5641	Washer - Thrust	2	
61	<b>R114-5596</b>	114-5596	Bushing - 1 in Straight	2	
62	<b>R119-0087</b>	119-0087	RH Lift Arm Assy	1	
63	<b>R114-5640-03</b>	114-5640-03	Yoke - Joint Assy w/Bearing	1	
64	<b>R104-4299</b>	104-4299	Cross and Bearing	1	
65	<b>R100-8148-03</b>	100-8148-03, 107-4348-03	Mount Assy - RH	1	
66	<b>R69-6470</b>	69-6470	Bushing - Flanged	2	
68	<b>R100-5674</b>	100-5674	Pin Assy	1	
69	<b>R340-77</b>	340-100, 340-77, 95-7889	Hydraulic Fitting	2	
71	<b>R107-4303</b>	107-4303, 99-5496	Cylinder - Lift - Wing	1	
72	<b>R104-8300</b>	104-8300, 104-8300, 119-4041	Locknut - 5/16-18 Flanged Y/Zinc	1	
73	<b>R104-3546</b>	104-3546	Pulley - Lower Driven	1	
74	<b>R104-4281</b>	104-4281	Bushing	2	
75	<b>R119-4776</b>	104-3532, 119-4776	Spindle Assy	1	
76	<b>R119-4546</b>	104-3552, 119-3552, 119-4546	Spindle Housing Assy	1	

All original equipment manufacturers names and part numbers are used for identification purposes only, and we are in no way implying that our products are original equipment parts. Prices subject to change without notice.



# Replaces Toro Groundsmaster 4000-D Parts

*Rotary Mower - Model 30448  
Right-Hand Deck Lift Arms and Spindle*



Item No	R&R Part No.	OEM Part No.	Description	Qty Req	Order Quantity
77	<b>R100-5582</b>	100-5582	Pivot Shaft - Lift Arm	1	
78	<b>R106-2008</b>	106-2008	Washer - Thrust	1	
79	<b>R115-5468</b>	100-8115, 115-5468	Pivot Hub Assy	1	
80	<b>R114-5680</b>	114-5680	Bushing - Flanged	2	
81	<b>R256-304</b>	256-304	Washer - Thrust	2	
82	<b>R104-8330-03</b>	104-8330-03	Cam Bracket Assy	1	
83	<b>R115-5469</b>	104-3517, 115-5469	Bushing - Flanged	2	
84	<b>R104-0721</b>	104-0721	Washer - Thrust	2	
85	<b>R104-0720</b>	104-0720	Spacer	1	
86	<b>R120-0480-03</b>	120-0480-03	Guide - Hos - RH	1	
87	<b>R3274-69</b>	3274-69, 3274-91, 3274.69	Screw - 1/4-20 x 3/4 Hsbh	2	

All original equipment manufacturers names and part numbers are used for identification purposes only, and we are in no way implying that our products are original equipment parts. Prices subject to change without notice.