

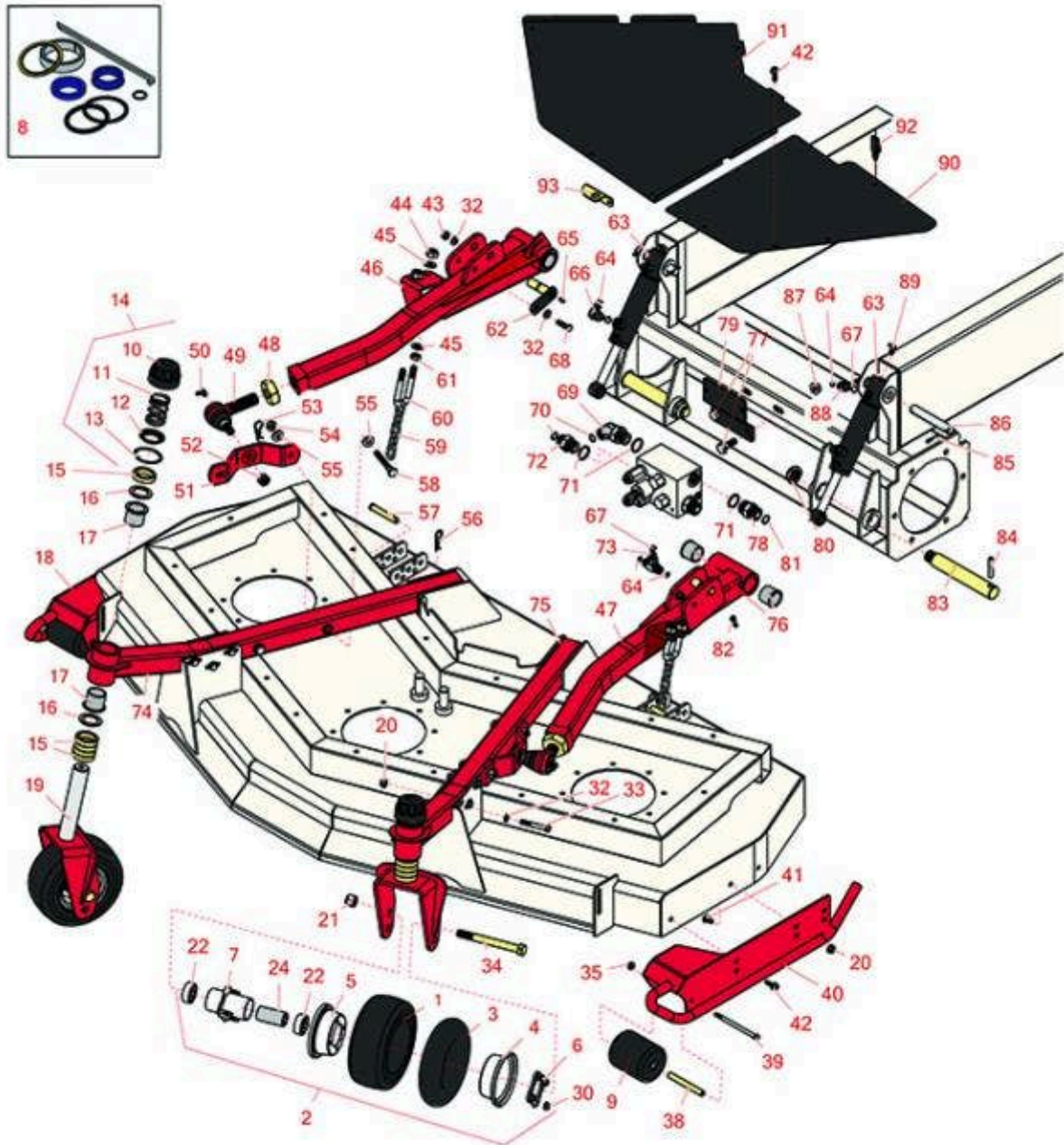


# Replaces Toro Groundsmaster 4000-D

## Parts

Rotary Mower - Model 30448

Front Deck Lift Arms



All original equipment manufacturers names and part numbers are used for identification purposes only, and we are in no way implying that our products are original equipment parts. Prices subject to change without notice.



# Replaces Toro Groundsmaster 4000-D Parts

Rotary Mower - Model 30448  
Front Deck Lift Arms



Item No	R&R Part No.	OEM Part No.	Description	Qty Req	Order Quantity
8	<b>R107-0248</b>	107-0248	Seal Kit - Fits R107-4304 Cyl	1	
<b>Tires</b>					
1	<b>R150615</b>	136-4424, 137-5924	Tire - Foam Filled 8-3.5 x 4 Sm 4 Ply	2	
1	<b>R93-9939</b>	93-9939, 98-2877	Tire - 8x3.50-4 (4 Ply) Sm Pneu	2	
2	<b>R137-5529</b>	137-5529, 93-5974, 93-9574, 137-5529	Wheel Assy - Foam Filled 8x3.5-4SM	2	
2	<b>R93-9938</b>	86-0020, 93-9938	Wheel Assy - Castor - Pneu 8x3.50-4	2	
3	<b>R68-8950</b>	68-8950	Tube - Castor Wheel 9x3.50-4 TR87	2	
4	<b>R95-2741</b>	137-5552, 95-2741	Rim - Wheel Half w/o Valve Hole	2	
5	<b>R93-4239</b>	93-4239	Rim - Wheel Half w/Valve Hole	2	
6	<b>R93-4242</b>	93-4242	Plate - Caster Wheel	2	
7	<b>R93-5980</b>	93-4238, 93-5980	Hub Assy - w/o Bearings/Spacer	2	
<b>Rollers</b>					
9	<b>R93-4803</b>	93-4803	Roller - Deck	2	
<b>Other Parts Available</b>					
10	<b>R92-8861</b>	92-5582, 92-8861	Cap - HOC	2	
11	<b>R92-9726</b>	92-9726	Spring - Compression	2	
12	<b>R92-5583</b>	92-5583	Washer- Cap	2	

All original equipment manufacturers names and part numbers are used for identification purposes only, and we are in no way implying that our products are original equipment parts. Prices subject to change without notice.



# Replaces Toro Groundsmaster 4000-D Parts

*Rotary Mower - Model 30448  
Front Deck Lift Arms*



Item No	R&R Part No.	OEM Part No.	Description	Qty Req	Order Quantity
13	<b>R92-5581</b>	92-5581	Ring - Retaining	2	
14	<b>R92-9727</b>	92-9727	Cap Assy - HOC	2	
15	<b>R69-1510</b>	69-1510	Spacer - 1/2 Caster Fork	10	
16	<b>R69-6860</b>	69-6860	Washer - 1/8 - Caster Wheel	4	
17	<b>R69-6470</b>	69-6470	Bushing - Flanged	4	
18	<b>R100-5605-01</b>	100-5605-01	Skid Assy - RH	1	
19	<b>R104-0762-01</b>	104-0762-01	Caster Fork	2	
20	<b>R104-8301</b>	104-8301, 104-9301, 109-6658, 133-7570	Locknut - 3/8-16 Nylon Flanged	10	
21	<b>R3296-53</b>	3296-53	Locknut - 5/8-11 ESNA Yellow	2	
22	<b>R108-9017</b>	108-9017, 120-3366	Bearing-Stainless	4	
24	<b>R93-4241</b>	93-4241	Spacer - Caster Wheel	2	
30	<b>R32128-16</b>	32128-16	Locknut - 5/16-24 Flanged Top	8	

All original equipment manufacturers names and part numbers are used for identification purposes only, and we are in no way implying that our products are original equipment parts. Prices subject to change without notice.



# Replaces Toro Groundsmaster 4000-D Parts

Rotary Mower - Model 30448  
Front Deck Lift Arms



Item No	R&R Part No.	OEM Part No.	Description	Qty Req	Order Quantity
32	<b>R453011</b>	01-166-0100, 01-166-0120, 01-166-0270, 01-166-0500, 01-166-0600, 01-166-0620, 132-4593, 2356-3, 237-12, 24-10-AD, 24-11-AD, 24-11-BD, 24-12-AD, 24-12-BD, 30-9310, 32-8190, 3256-24, 3256-3, 3256-36, 3256-4, 453011, 47-9950, 48-9220, 513458, 7-0052	Washer - Flat 3/8 SAE Y/Zinc	10	
33	<b>R400274</b>	01-178-0626, 112-7161, 3224-11, 400274	Bolt - Hex HD 3/8-16 x 2-1/2 GR5	6	
34	<b>R327-24</b>	327-24	Bolt - Hex HD 5/8-11 x 6	2	
35	<b>R104-8300</b>	104-8300, 104-8300 , 119-4041	Locknut - 5/16-18 Flanged Y/Zinc	3	
38	<b>R105-4549</b>	105-4549	Spacer - Deck Roller	2	
39	<b>R322-29</b>	322-29	Bolt - Hex HD 5/16-18 x 5 GR5	2	
40	<b>R100-5612-01</b>	100-5612-01	Skid Assy - LH	1	
41	<b>R3231-21</b>	3231-21	Screw - 3/8-16 x 3/4 Carriage	2	
42	<b>R3234-42</b>	3234-42	Bolt - 3/8-16 x 1 Hx HD Fl	3	

All original equipment manufacturers names and part numbers are used for identification purposes only, and we are in no way implying that our products are original equipment parts. Prices subject to change without notice.



# Replaces Toro Groundsmaster 4000-D Parts

Rotary Mower - Model 30448  
Front Deck Lift Arms



Item No	R&R Part No.	OEM Part No.	Description	Qty Req	Order Quantity
43	<b>R3296-39</b>	32127-25, 32128-36, 3290-357, 3296-17, 3296-22, 3296-39, 915663P, 99-7443	Locknut - 3/8-16 Nylon	2	
44	<b>R3296-25</b>	30-3380, 32127-21, 32127-31, 3290-160, 3290-33, 3296-13, 3296-25, 3296-45, 329645	Locknut - 1/2-13 Heavy ESNA	4	
45	<b>R3256-26</b>	01-166-0540, 01-166-0820, 17-2530, 24-13-BD, 30-8570, 3256-26, 356206, 48-9390	Washer - 1/2 in	8	
46	<b>R100-3031</b>	100-3031	Lift Arm Assy - RH	1	
47	<b>R100-3032</b>	100-3032	Lift Arm Assy - LH	1	
48	<b>R21-3001</b>	21-3001-03	Nut- Jam 1-16 LH	2	
49	<b>R86-8101-01</b>	21-0161, 86-8101, 86-8101-01, 86-8101-03	Ball Joint	2	
50	<b>R302-40</b>	302-13, 302-40	Fitting - Grease	2	
51	<b>R93-4583-01</b>	93-4583, 93-4583-01	Mount - Ball Joint	2	

All original equipment manufacturers names and part numbers are used for identification purposes only, and we are in no way implying that our products are original equipment parts. Prices subject to change without notice.



# Replaces Toro Groundsmaster 4000-D Parts

Rotary Mower - Model 30448  
Front Deck Lift Arms



Item No	R&R Part No.	OEM Part No.	Description	Qty Req	Order Quantity
52	<b>R32136-2</b>	22-18-BJLD, 32136-2, 3221-5	Nut - Slotted Hex HD	2	
53	<b>R3272-12</b>	01-151-0090, 28-19-D, 3272-12	Pin - Cotter 1/8 x 1-1/4	2	
54	<b>R3296-48</b>	119-4039, 32146-7, 3296-34, 3296-48	Locknut - 7/16-14 ESNA	4	
55	<b>R87-7480</b>	87-7480	Washer	8	
56	<b>R3290-467</b>	3290-467	Pin-Hair	2	
57	<b>R283-55</b>	283-55	Clevis Pin - 1/2 x 3	2	
58	<b>R324-19</b>	01-150-1000, 01-178-0728, 324-19	Bolt - Hex HD 7/16-14 x 3 1/2 GR8	4	
59	<b>R95-6231</b>	95-6231	Chain - HOC	2	
60	<b>R104-0108</b>	104-0108	U-Bolt	2	
61	<b>R443118</b>	01-188-0813, 22-15-AJD, 3217-9	Nut - 1/2-13 Zinc	4	
62	<b>R100-3020</b>	100-3020	Pin Assy	2	
63	<b>R107-4304</b>	100-3016, 107-4304	Cylinder - Center Lift	2	
64	<b>R237-22</b>	107-8844, 237-22, 237-78	O-Ring	6	

All original equipment manufacturers names and part numbers are used for identification purposes only, and we are in no way implying that our products are original equipment parts. Prices subject to change without notice.



# Replaces Toro Groundsmaster 4000-D Parts

Rotary Mower - Model 30448  
Front Deck Lift Arms



Item No	R&R Part No.	OEM Part No.	Description	Qty Req	Order Quantity
65	<b>R302-5</b>	21-6010, 302-11, 302-37, 302-47, 302-5, 302-57, 302-58, 302-6, 31-0300, 32-9660, 60-0800, 62-3880, 92-4181	Fitting - Grease	4	
66	<b>R340-77</b>	340-100, 340-77, 95-7889	Hydraulic Fitting	1	
67	<b>R237-42</b>	237-42, 31-4160	O-Ring	5	
68	<b>R400264</b>	01-150-0180, 01-178-0610, 20-48-AD, 20-48-AGD, 32-9160, 3224-3, 323-29, 323-7, 400264, 908035P	Bolt - Hex HD 3/8-16 x 1-1/4	2	
69	<b>R340-156</b>	340-156	Hydraulic Fitting	1	
70	<b>R237-65</b>	237-65, 237.65	O-Ring	2	
71	<b>R237-81</b>	237-81, 237.81, 327-81	O-Ring	3	
72	<b>R340-8</b>	340-8	Adapter	1	
73	<b>R340-94</b>	340-94	Adapter	1	
74	<b>R100-8091</b>	100-8091	Castor Arm Assy - RH	1	

All original equipment manufacturers names and part numbers are used for identification purposes only, and we are in no way implying that our products are original equipment parts. Prices subject to change without notice.



# Replaces Toro Groundsmaster 4000-D Parts

Rotary Mower - Model 30448  
Front Deck Lift Arms



Item No	R&R Part No.	OEM Part No.	Description	Qty Req	Order Quantity
<i>Tech Note: 310000001-313999999:</i>					
74	<b>R127-3720</b>	127-3720	Castor Arm Assy - RH	1	
<i>Tech Note: 314000001-314999999:</i>					
75	<b>R100-8092</b>	100-8092	Castor Arm Assy - LH - Incl Bushings	1	
<i>Tech Note: 310000001-313999999:</i>					
75	<b>R127-3730</b>	127-3730	Castor Arm Assy - LH - Incl Bushings	1	
<i>Tech Note: 314000001-314999999:</i>					
76	<b>R104-0015</b>	104-0015, 104-8339	Bushing - Flanged	4	
77	<b>R400408</b>	01-150-0090, 01-178-0812, 20-87-AD, 20-87-AGD, 20-87-AGF, 3226-2, 325-6, 513376, 513378	Bolt - Hex HD 1/2-13 x 1-1/2	2	
78	<b>R340-9</b>	340-9	Fitting - Straight Connector	1	
79	<b>R104-0746-03</b>	104-0746-03	Bracket - Manifold	1	
80	<b>R3296-49</b>	3296-49	Locknut - 1 in 14	2	
81	<b>R237-58</b>	237-58	O-Ring	1	
82	<b>R700414</b>	302-11, 302-19, 302-4, 32-8170	Zerk - Grease 1/4-28 45 Deg	2	
83	<b>R100-3017</b>	100-3017	Pin - Lift Arm	2	
84	<b>R32121-110</b>	32121-110	Roll Pin - Slotted	2	

All original equipment manufacturers names and part numbers are used for identification purposes only, and we are in no way implying that our products are original equipment parts. Prices subject to change without notice.





# Replaces Toro Groundsmaster 4000-D Parts

*Rotary Mower - Model 30448  
Front Deck Lift Arms*



Item No	R&R Part No.	OEM Part No.	Description	Qty Req	Order Quantity
85	<b>R460050</b>	01-151-0060, 3272-23, 460050	Pin - Cotter 3/16 x 1-1/4	4	
86	<b>R105-7456</b>	100-5559, 105-7456	Pin - Pivot	2	
87	<b>R32128-23</b>	32128-23, 3218-23, 99-5107	Nut - Lock Hex Flanged 1/2-13	2	
88	<b>R340-2</b>	340-2, 60-1920	Hydraulic Fitting - Striaight	3	
89	<b>R323016</b>	302-33, 323016	Zerk - Grease	2	
90	<b>R100-5663-03</b>	100-5663-03	Cover - LH Front	1	
91	<b>R100-5660-03</b>	100-5660-03	Cover - Center Front	1	
92	<b>R74-5950</b>	249-48, 74-5950	Latch - Swell	10	
93	<b>R119-5311</b>	119-5311	Mount - Front Switch	1	

All original equipment manufacturers names and part numbers are used for identification purposes only, and we are in no way implying that our products are original equipment parts. Prices subject to change without notice.