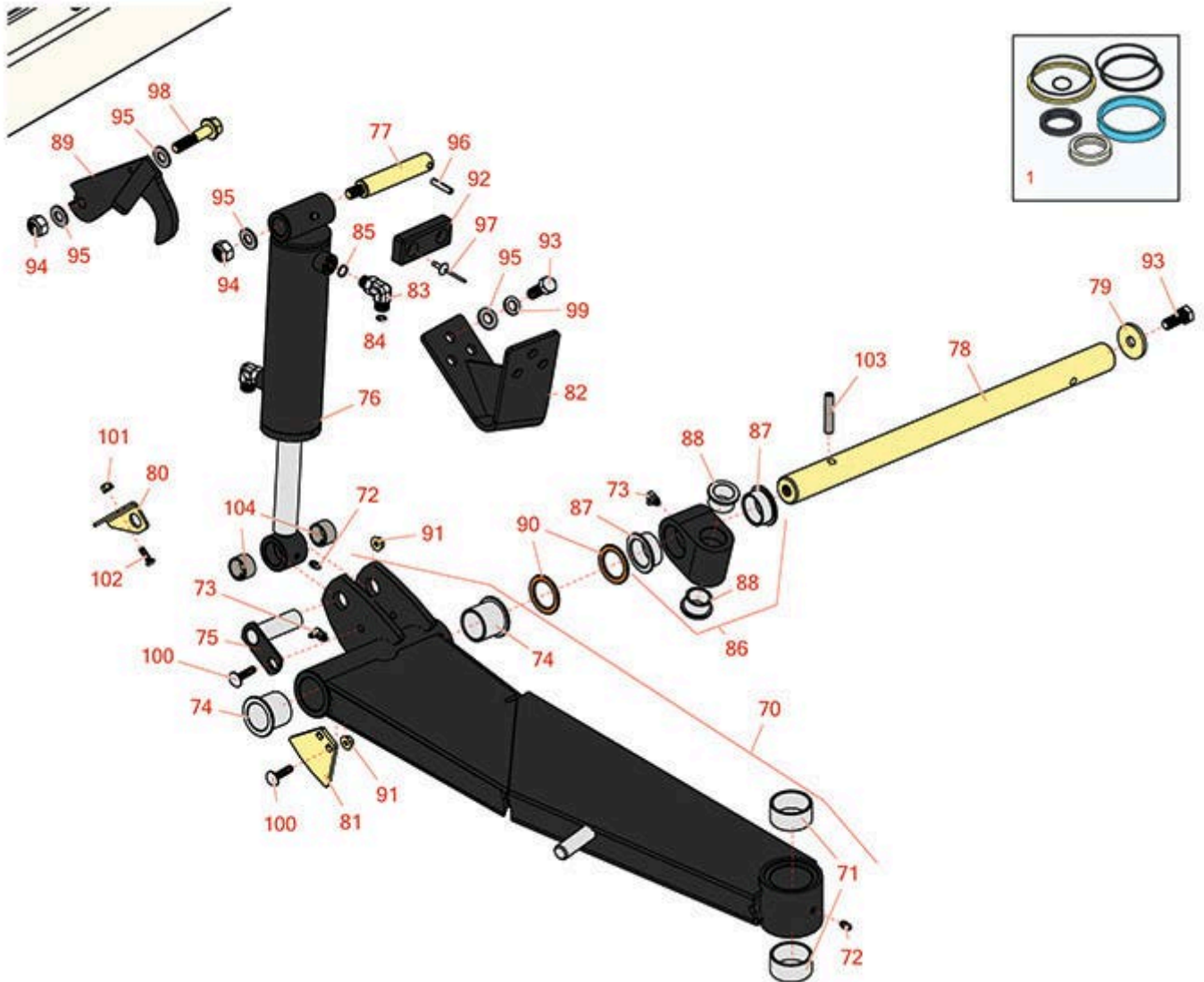




Replaces Toro Groundsmaster 4000-D Parts

Rotary Mower - Model 30448
Side Deck Lift Arm, Cylinder and Latch



All original equipment manufacturers names and part numbers are used for identification purposes only, and we are in no way implying that our products are original equipment parts. Prices subject to change without notice.



Replaces Toro Groundsmaster 4000-D Parts

Rotary Mower - Model 30448
Side Deck Lift Arm, Cylinder and Latch



Item No	R&R Part No.	OEM Part No.	Description	Qty Req	Order Quantity
Overhaul Kits					
1	R107-0249	107-0249	Seal Kit - Fits R107-4303 Cyl	1	
Other Parts Available					
70	R119-0089	119-0089	LH Lift Arm Assy	1	
70	R119-0087	119-0087	RH Lift Arm Assy	1	
71	R114-5596	114-5596	Bushing - 1 in Straight	2	
72	R302-5	21-6010, 302-11, 302-37, 302-47, 302-5, 302-57, 302-58, 302-6, 31-0300, 32-9660, 60-0800, 62-3880, 92-4181	Fitting - Grease	1	
73	R302-60	302-60	Zerk - Grease 90 Deg.	3	
74	R69-6470	69-6470	Bushing - Flanged	2	
75	R100-5674	100-5674	Pin Assy	2	
76	R107-4303	107-4303, 99-5496	Cylinder - Lift - Wing	2	
77	R104-3537	104-3537	Pin - Cylinder	2	
78	R100-5582	100-5582	Pivot Shaft - Lift Arm	2	
79	R106-2008	106-2008	Washer - Thrust	2	
80	R119-0076	119-0076	Mount - Wing Switch	2	
81	R119-0077	119-0077	Plate- Sensing - Wing	2	

All original equipment manufacturers names and part numbers are used for identification purposes only, and we are in no way implying that our products are original equipment parts. Prices subject to change without notice.



Replaces Toro Groundsmaster 4000-D Parts

*Rotary Mower - Model 30448
Side Deck Lift Arm, Cylinder and Latch*



Item No	R&R Part No.	OEM Part No.	Description	Qty Req	Order Quantity
82	R104-8330-03	104-8330-03	Cam Bracket Assy	2	
83	R340-77	340-100, 340-77, 95-7889	Hydraulic Fitting	4	
84	R237-22	107-8844, 237-22, 237-78	O-Ring	4	
85	R237-42	237-42, 31-4160	O-Ring	4	
86	R115-5468	100-8115, 115-5468	Pivot Hub Assy	2	
87	R115-5469	104-3517, 115-5469	Bushing - Flanged	4	
88	R114-5680	114-5680	Bushing - Flanged	4	
89	R104-3556-03	104-3556-03	Latch - RH	1	
89	R104-3557-03	104-3557-03	Latch - LH	1	
90	R256-304	256-304	Washer - Thrust	4	
91	R104-8300	104-8300, 104-8300, 119-4041	Locknut - 5/16-18 Flanged Y/Zinc	6	
92	R86-5350	86-5350	Bumper - Rubber	2	
93	R325-5	01-150-0250, 01-178-0810, 19-8000, 20-86-AGD, 3226-1, 325-5, 513375	Bolt - Hex HD 1/2-13 x 1-1/4	8	

All original equipment manufacturers names and part numbers are used for identification purposes only, and we are in no way implying that our products are original equipment parts. Prices subject to change without notice.



Replaces Toro Groundsmaster 4000-D Parts



Rotary Mower - Model 30448
Side Deck Lift Arm, Cylinder and Latch

Item No	R&R Part No.	OEM Part No.	Description	Qty Req	Order Quantity
94	R3296-25	30-3380, 32127-21, 32127-31, 3290-160, 3290-33, 3296-13, 3296-25, 3296-45, 329645	Locknut - 1/2-13 Heavy ESNA	4	
95	R3256-26	01-166-0540, 01-166-0820, 17-2530, 24-13-BD, 30-8570, 3256-26, 356206, 48-9390	Washer - 1/2 in	10	
96	R32121-9	32121-9	Pin - Roll - 1/4 x 1 1/4	2	
97	R3269-11	01-161-0100, 3269-11	Rivet	4	
98	R3234-46	3234-46	Bolt - 1/2-13 x 2 1/4 GR8HX HD FI	2	
99	R3253-7	01-166-0030, 01-166-0080, 01-166-0290, 01-166-0810, 23-13-GD, 3253-7, 48-9380	Washer - Lock 1/2	6	
100	R3230-2	01-173-0508, 25-25-AGD, 3230-16, 3230-2, 513624, 513633, 513635, 900038P	Bolt - Carriage	4	
101	R104-7201	104-7201	Locknut - 1/4-20 ESNA Flanged	4	

All original equipment manufacturers names and part numbers are used for identification purposes only, and we are in no way implying that our products are original equipment parts. Prices subject to change without notice.



Replaces Toro Groundsmaster 4000-D Parts



*Rotary Mower - Model 30448
Side Deck Lift Arm, Cylinder and Latch*

Item No	R&R Part No.	OEM Part No.	Description	Qty Req	Order Quantity
102	R3274-69	3274-69, 3274-91, 3274.69	Screw - 1/4-20 x 3/4 Hsbh	4	
103	R32121-110	32121-110	Roll Pin - Slotted	1	
104	R104-4281	104-4281	Bushing	2	

All original equipment manufacturers names and part numbers are used for identification purposes only, and we are in no way implying that our products are original equipment parts. Prices subject to change without notice.