

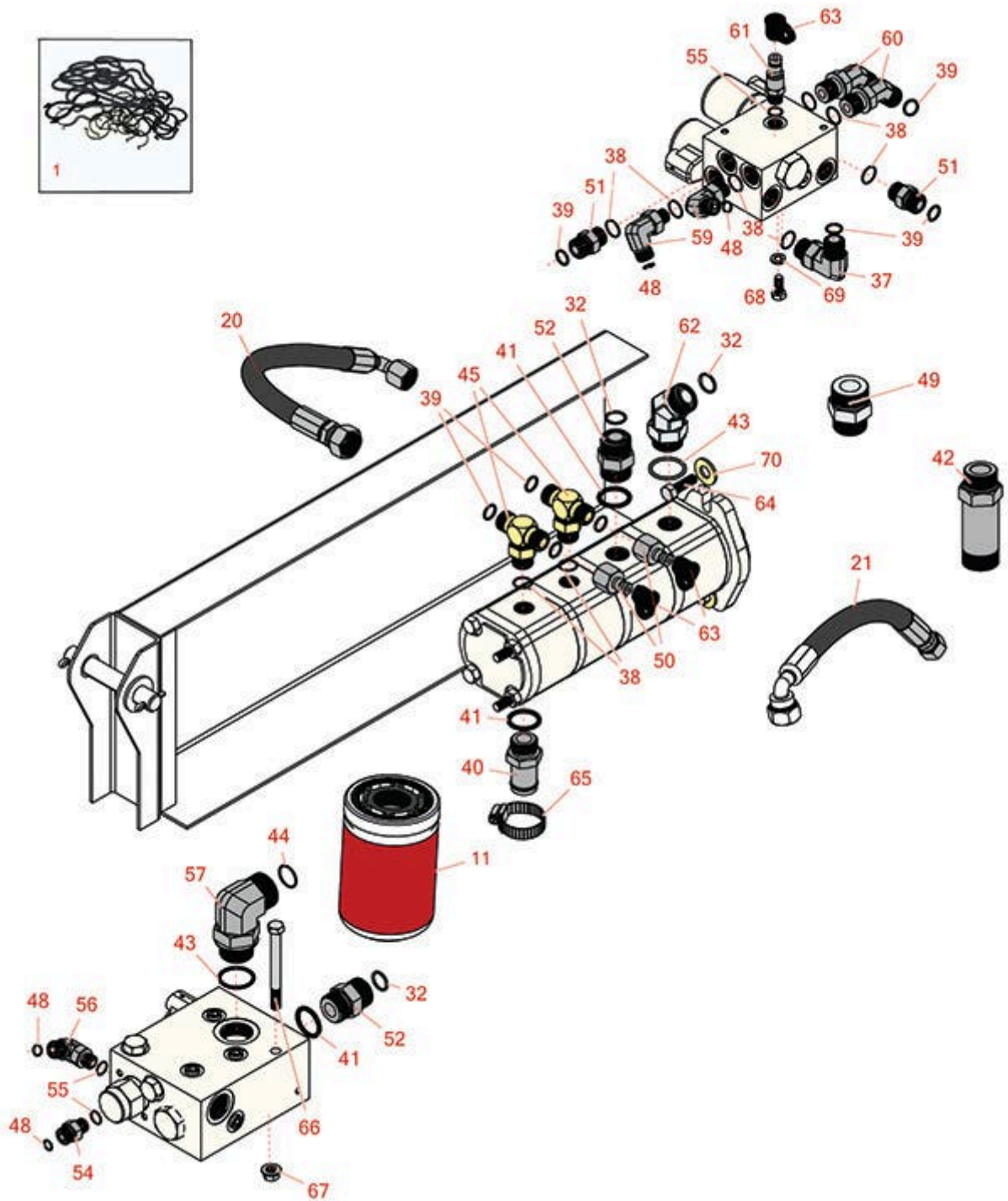


# Replaces Toro Groundsmaster 4000-D

## Parts

Rotary Mower - Model 30605

Pump Installation and Filter



All original equipment manufacturers names and part numbers are used for identification purposes only, and we are in no way implying that our products are original equipment parts. Prices subject to change without notice.



# Replaces Toro Groundsmaster 4000-D Parts

Rotary Mower - Model 30605  
Pump Installation and Filter



Item No	R&R Part No.	OEM Part No.	Description	Qty Req	Order Quantity
<b>Overhaul Kits</b>					
1	<b>R115-3776</b>	115-3776	Seal Kit - 4 Stage Pump	1	
<b>Filters</b>					
11	<b>R75-1310</b>	13170210, 75-1310	Baldwin Hyd Oil Filter	1	
<b>Hoses</b>					
20	<b>R104-2807</b>	104-2807	Hydraulic Hose Assy	1	
20	<b>R104-4584</b>	104-4584	Hydraulic Hose Assy	1	
21	<b>R121-1505</b>	121-1505	Hydraulic Hose Assy	1	
<b>Other Parts Available</b>					
32	<b>R237-58</b>	237-58	O-Ring	2	
37	<b>R340-98</b>	340-98	Hydraulic Fitting	3	
38	<b>R237-79</b>	237-79	O-Ring	12	
39	<b>R237-30</b>	23-6320, 237-30	O-Ring - Seal	18	
40	<b>R99-3017</b>	99-3017	Fitting	1	
41	<b>R237-81</b>	237-81, 237.81, 327-81	O-Ring	4	
42	<b>R100-5565</b>	100-5565	Hydraulic Fitting	2	
43	<b>R237-146</b>	237-146, 340-146	O-Ring	3	
44	<b>R340-65</b>	340-65	O-Ring	3	
45	<b>R340-157</b>	340-157	Hydraulic Fitting - Tee	2	

All original equipment manufacturers names and part numbers are used for identification purposes only, and we are in no way implying that our products are original equipment parts. Prices subject to change without notice.



# Replaces Toro Groundsmaster 4000-D Parts

Rotary Mower - Model 30605  
Pump Installation and Filter



Item No	R&R Part No.	OEM Part No.	Description	Qty Req	Order Quantity
48	<b>R237-22</b>	107-8844, 237-22, 237-78	O-Ring	5	
49	<b>R104-3797</b>	104-3797	Hydraulic Fitting - Striaight	2	
50	<b>R100-5616</b>	100-5616	Hydraulic Fitting	2	
51	<b>R340-4</b>	340-4	Hydraulic Fitting - Male Connector	2	
52	<b>R340-9</b>	340-9	Fitting - Straight Connector	1	
54	<b>R340-2</b>	340-2, 60-1920	Hydraulic Fitting - Striaight	1	
55	<b>R237-42</b>	237-42, 31-4160	O-Ring	9	
56	<b>R340-77</b>	340-100, 340-77, 95-7889	Hydraulic Fitting	1	
57	<b>R340-129</b>	340-129	Hydraulic Fitting - 90 Deg	1	
59	<b>R340-18</b>	340-18	Hydraulic Fitting	1	
60	<b>R340-101</b>	340-101	Hydraulic Fitting	2	
61	<b>R59-7410</b>	59-7410	Tip-Nipple	1	
62	<b>R100-5530</b>	100-5530, 98-0657	Hydraulic Fitting - 45 Deg	1	
63	<b>R354-79</b>	354-79	Cap-Dust	2	
64	<b>R400260</b>	01-178-0605, 18-4100, 19-8270, 323-3, 323-33, 323-34, 323-5, 3235-5	Bolt - Hex HD 3/8-16 x 7/8	2	

All original equipment manufacturers names and part numbers are used for identification purposes only, and we are in no way implying that our products are original equipment parts. Prices subject to change without notice.



# Replaces Toro Groundsmaster 4000-D Parts

*Rotary Mower - Model 30605  
Pump Installation and Filter*



Item No	R&R Part No.	OEM Part No.	Description	Qty Req	Order Quantity
65	<b>R2412-111</b>	2412-111	Clamp - Hose - Worm	2	
66	<b>R323-42</b>	01-178-0630, 323-42	Bolt - Hx HD 3/8-16 x 3 3/4	4	
67	<b>R104-8301</b>	104-8301, 104-9301, 109-6658, 133-7570	Locknut - 3/8-16 Nylon Flanged	4	
68	<b>R322-3</b>	01-150-1420, 01-178-0506, 20-24-AD, 20-24-AGD, 322-3, 48-9270, 513339, 908017P	Bolt - Hex HD 5/16-18 x 3/4	2	
69	<b>R3253-4</b>	01-166-0110, 01-166-0510, 23-10-GD, 24-7170, 30-8520, 3253-4, 42-9850, 48-9350, 48-9360, 48-9570, 68-9420, 99-7577	Washer - Lock 5/16 Zinc	2	
70	<b>R87-7270-01</b>	87-7270, 87-7270-01	Washer - Flat 1/2	2	

All original equipment manufacturers names and part numbers are used for identification purposes only, and we are in no way implying that our products are original equipment parts. Prices subject to change without notice.