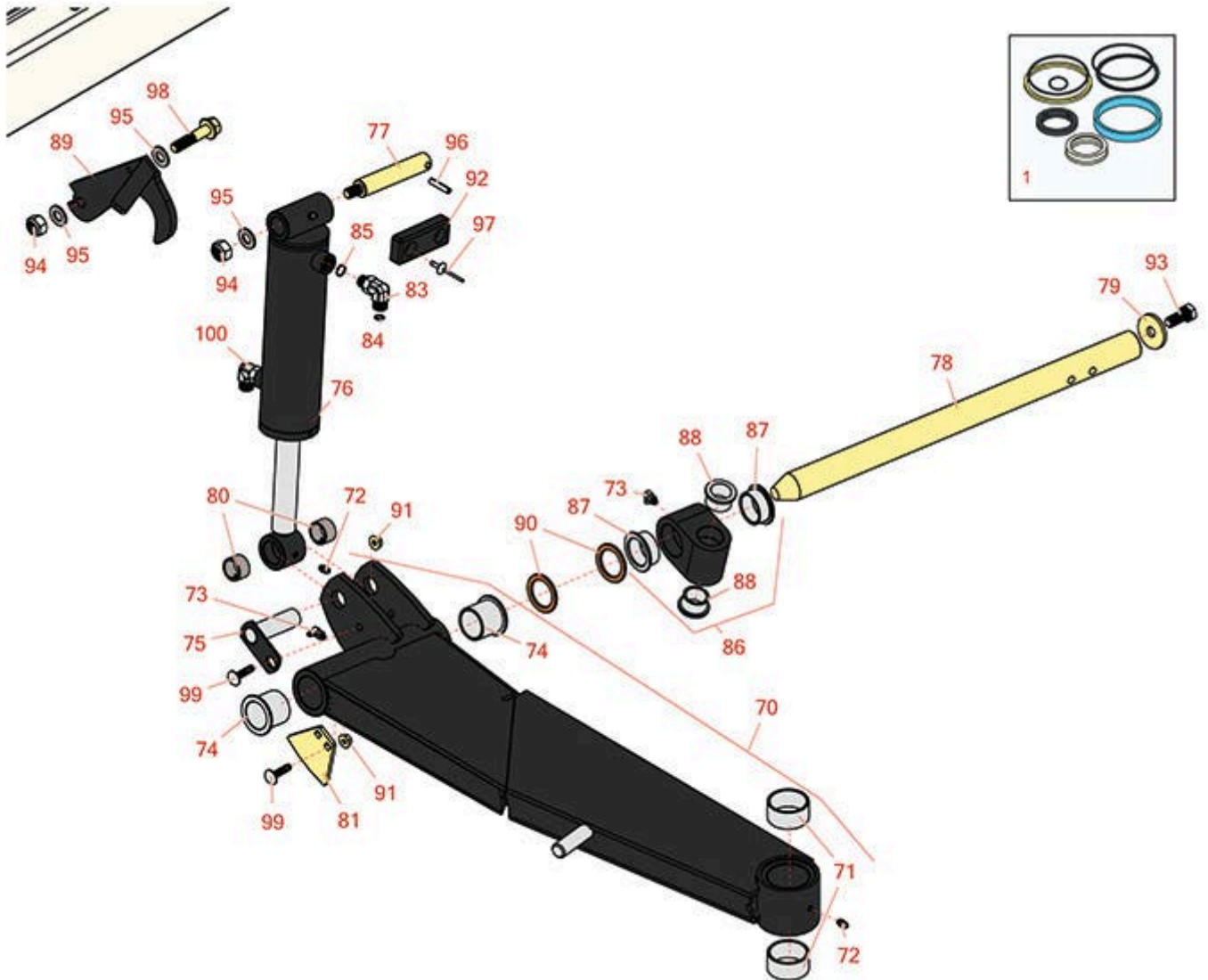




# Replaces Toro Groundsmaster 4000-D Parts

Rotary Mower - Model 30605  
Side Deck Lift Arm, Cylinder and Latch



All original equipment manufacturers names and part numbers are used for identification purposes only, and we are in no way implying that our products are original equipment parts. Prices subject to change without notice.



# Replaces Toro Groundsmaster 4000-D Parts

Rotary Mower - Model 30605  
Side Deck Lift Arm, Cylinder and Latch



Item No	R&R Part No.	OEM Part No.	Description	Qty Req	Order Quantity
<b>Overhaul Kits</b>					
1	<b>R107-0249</b>	107-0249	Seal Kit - Fits R107-4303 Cyl	1	
<b>Other Parts Available</b>					
70	<b>R119-0089</b>	119-0089	LH Lift Arm Assy	1	
70	<b>R119-0087</b>	119-0087	RH Lift Arm Assy	1	
71	<b>R114-5596</b>	114-5596	Bushing - 1 in Straight	4	
72	<b>R302-5</b>	21-6010, 302-11, 302-37, 302-47, 302-5, 302-57, 302-58, 302-6, 31-0300, 32-9660, 60-0800, 62-3880, 92-4181	Fitting - Grease	2	
73	<b>R302-60</b>	302-60	Zerk - Grease 90 Deg.	4	
74	<b>R69-6470</b>	69-6470	Bushing - Flanged	4	
75	<b>R100-5674</b>	100-5674	Pin Assy	2	
76	<b>R107-4303</b>	107-4303, 99-5496	Cylinder - Lift - Wing	2	
77	<b>R104-3537</b>	104-3537	Pin - Cylinder	2	
78	<b>R121-3882</b>	121-3882	Shaft - Lift Arm Pivot	2	
79	<b>R106-2008</b>	106-2008	Washer - Thrust	2	
80	<b>R104-4281</b>	104-4281	Bushing	4	
81	<b>R119-0077</b>	119-0077	Plate- Sensing - Wing	2	

All original equipment manufacturers names and part numbers are used for identification purposes only, and we are in no way implying that our products are original equipment parts. Prices subject to change without notice.



# Replaces Toro Groundsmaster 4000-D Parts

Rotary Mower - Model 30605  
Side Deck Lift Arm, Cylinder and Latch



Item No	R&R Part No.	OEM Part No.	Description	Qty Req	Order Quantity
83	<b>R340-77</b>	340-100, 340-77, 95-7889	Hydraulic Fitting	2	
84	<b>R237-22</b>	107-8844, 237-22, 237-78	O-Ring	4	
85	<b>R237-42</b>	237-42, 31-4160	O-Ring	4	
86	<b>R115-5468</b>	100-8115, 115-5468	Pivot Hub Assy	2	
87	<b>R115-5469</b>	104-3517, 115-5469	Bushing - Flanged	4	
88	<b>R114-5680</b>	114-5680	Bushing - Flanged	4	
89	<b>R104-3556-03</b>	104-3556-03	Latch - RH	1	
89	<b>R104-3557-03</b>	104-3557-03	Latch - LH	1	
<i>Tech Note: Ser# 313000001-314999999:</i>					
89	<b>R136-4395-03</b>	136-4395-03	Latch - Deck LH	1	
<i>Tech Note: Ser# 400000000-999999999:</i>					
90	<b>R256-304</b>	256-304	Washer - Thrust	4	
91	<b>R104-8300</b>	104-8300, 104-8300 , 119-4041	Locknut - 5/16-18 Flanged Y/Zinc	6	
92	<b>R86-5350</b>	86-5350	Bumper - Rubber	2	
93	<b>R325-5</b>	01-150-0250, 01-178-0810, 19-8000, 20-86-AGD, 3226-1, 325-5, 513375	Bolt - Hex HD 1/2-13 x 1-1/4	8	

All original equipment manufacturers names and part numbers are used for identification purposes only, and we are in no way implying that our products are original equipment parts. Prices subject to change without notice.



# Replaces Toro Groundsmaster 4000-D Parts



*Rotary Mower - Model 30605  
Side Deck Lift Arm, Cylinder and Latch*

Item No	R&R Part No.	OEM Part No.	Description	Qty Req	Order Quantity
94	<b>R3296-25</b>	30-3380, 32127-21, 32127-31, 3290-160, 3290-33, 3296-13, 3296-25, 3296-45, 329645	Locknut - 1/2-13 Heavy ESNA	4	
95	<b>R3256-26</b>	01-166-0540, 01-166-0820, 17-2530, 24-13-BD, 30-8570, 3256-26, 356206, 48-9390	Washer - 1/2 in	10	
96	<b>R32121-9</b>	32121-9	Pin - Roll - 1/4 x 1 1/4	2	
97	<b>R3269-11</b>	01-161-0100, 3269-11	Rivet	4	
98	<b>R3234-46</b>	3234-46	Bolt - 1/2-13 x 2 1/4 GR8HX HD FI	2	
99	<b>R3230-2</b>	01-173-0508, 25-25-AGD, 3230-16, 3230-2, 513624, 513633, 513635, 900038P	Bolt - Carriage	2	
100	<b>R340-87</b>	340-106, 340-87	Hydraulic Fitting	2	

All original equipment manufacturers names and part numbers are used for identification purposes only, and we are in no way implying that our products are original equipment parts. Prices subject to change without notice.