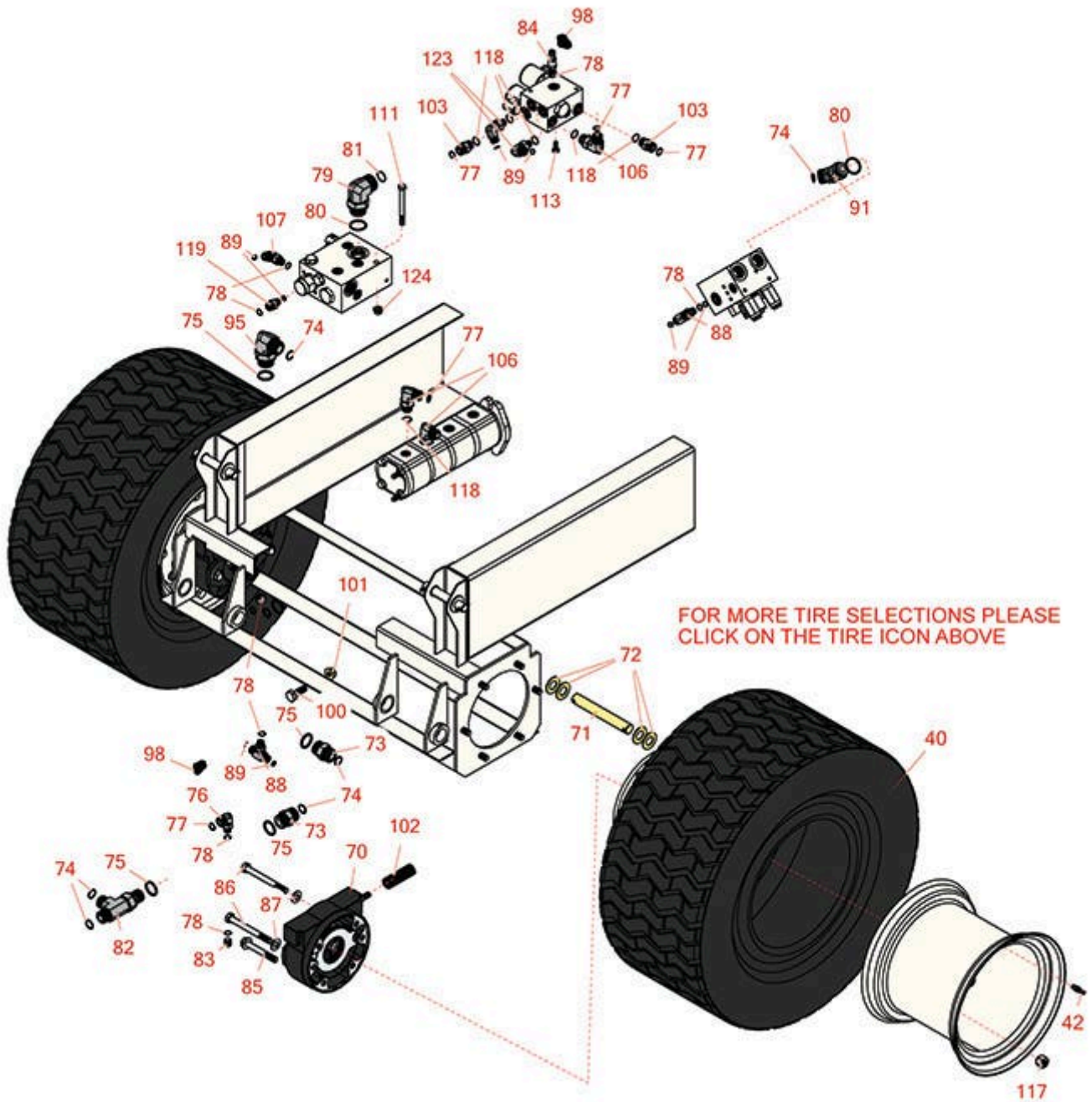




Replaces Toro Groundsmaster 4000-D Parts

Rotary Mower - Model 30609
Planetary, Brake And Tire Assembly



All original equipment manufacturers names and part numbers are used for identification purposes only, and we are in no way implying that our products are original equipment parts. Prices subject to change without notice.



Replaces Toro Groundsmaster 4000-D Parts

Rotary Mower - Model 30609
Planetary, Brake And Tire Assembly



Item No	R&R Part No.	OEM Part No.	Description	Qty Req	Order Quantity
---------	--------------	--------------	-------------	---------	----------------

Tires & Wheels

40	RCT574377	119-8313, 126-8033, 99-5434	Tire - 26x12.00-12 Nhs (6 Ply) Carlisle Multi Trac C/S	2	
42	R232-27	232-27, 232-31	Stem - Valve w/ Cap	2	

Other Parts Available

70	R100-3070-03	100-3070-03	Brake Assy - LH	1	
70	R100-3069-03	100-3069-03	Brake Assy - RH	1	
71	R110-6006	110-6006	Clevis Pin	2	
72	R3256-39	3256-39	Washer - Flat	8	
73	R340-9	340-9	Fitting - Straight Connector	3	
74	R237-58	237-58	O-Ring	7	
75	R237-81	237-81, 237.81, 327-81	O-Ring	6	
76	R340-99	340-99	Hydraulic Fitting - 90 Deg	2	
77	R237-30	23-6320, 237-30	O-Ring - Seal	8	
78	R237-42	237-42, 31-4160	O-Ring	8	
79	R340-129	340-129	Hydraulic Fitting - 90 Deg	2	
80	R237-146	237-146, 340-146	O-Ring	2	
81	R340-65	340-65	O-Ring	1	
82	R340-148	340-148	Fitting-Tee	1	

All original equipment manufacturers names and part numbers are used for identification purposes only, and we are in no way implying that our products are original equipment parts. Prices subject to change without notice.



Replaces Toro Groundsmaster 4000-D Parts

*Rotary Mower - Model 30609
Planetary, Brake And Tire Assembly*



Item No	R&R Part No.	OEM Part No.	Description	Qty Req	Order Quantity
83	R353-989	353-989	Plug - Hex - Hollow	1	
84	R59-7410	59-7410	Tip-Nipple	1	
85	R33106-090	33106-090	Bolt - M12-1.75 x 90 Fl Hex HD Gr 8.8	4	
86	R33116-120	33116-120	Bolt - M12-1.75 x 120mm Hx HD	4	
87	R3256-26	01-166-0540, 01-166-0820, 17-2530, 24-13-BD, 30-8570, 3256-26, 356206, 48-9390	Washer - 1/2 in	8	
88	R340-94	340-94	Adapter	2	
89	R237-22	107-8844, 237-22, 237-78	O-Ring	8	
91	R100-5530	100-5530, 98-0657	Hydraulic Fitting - 45 Deg	1	
95	R340-142	340-142, 95-1692	Hydraulic Fitting - 90 Deg	1	
98	R354-79	354-79	Cap-Dust	2	
100	R400408	01-150-0090, 01-178-0812, 20-87-AD, 20-87-AGD, 20-87-AGF, 3226-2, 325-6, 513376, 513378	Bolt - Hex HD 1/2-13 x 1-1/2	8	
101	R32128-23	32128-23, 3218-23, 99-5107	Nut - Lock Hex Flanged 1/2-13	8	

All original equipment manufacturers names and part numbers are used for identification purposes only, and we are in no way implying that our products are original equipment parts. Prices subject to change without notice.



Replaces Toro Groundsmaster 4000-D Parts

*Rotary Mower - Model 30609
Planetary, Brake And Tire Assembly*



Item No	R&R Part No.	OEM Part No.	Description	Qty Req	Order Quantity
102	R94-3088	94-3088	Spring - Compression	2	
103	R340-4	340-4	Hydraulic Fitting - Male Connector	2	
106	R340-98	340-98	Hydraulic Fitting	3	
107	R340-77	340-100, 340-77, 95-7889	Hydraulic Fitting	1	
111	R323-42	01-178-0630, 323-42	Bolt - Hx HD 3/8-16 x 3 3/4	1	
113	R322-3	01-150-1420, 01-178-0506, 20-24-AD, 20-24-AGD, 322-3, 48-9270, 513339, 908017P	Bolt - Hex HD 5/16-18 x 3/4	2	
117	R242-50	242-50	Nut - 1/2-20 Wheel	16	
118	R237-79	237-79	O-Ring	7	
119	R340-2	340-2, 60-1920	Hydraulic Fitting - Striaight	1	
123	R340-18	340-18	Hydraulic Fitting	2	
124	R104-8301	104-8301, 104-9301, 109-6658, 133-7570	Locknut - 3/8-16 Nylon Flanged	1	

All original equipment manufacturers names and part numbers are used for identification purposes only, and we are in no way implying that our products are original equipment parts. Prices subject to change without notice.