

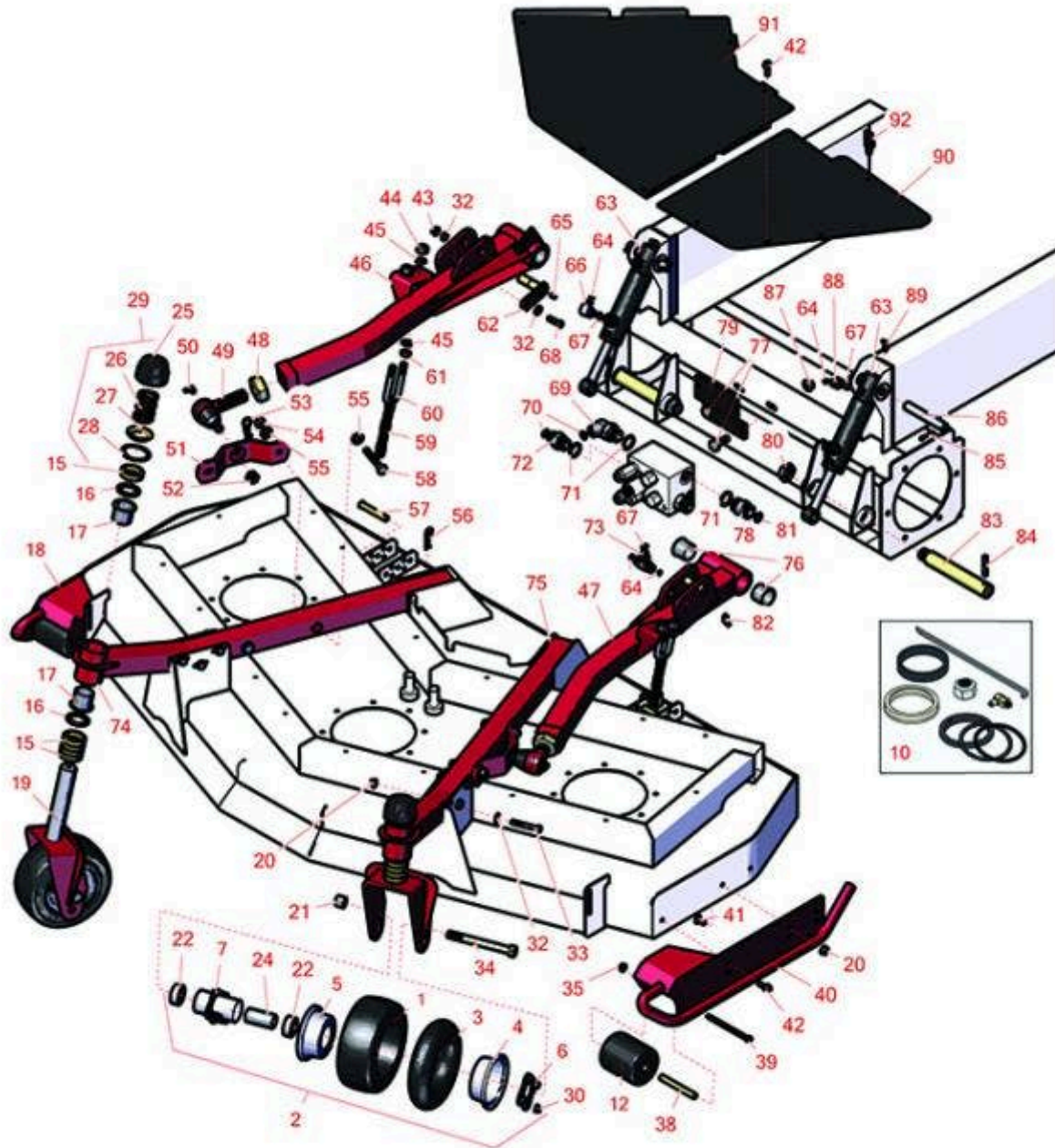


Replaces Toro Groundsmaster 4010-D

Parts

Rotary Mower - Model 30603

Front Deck Lift Arms



All original equipment manufacturers names and part numbers are used for identification purposes only, and we are in no way implying that our products are original equipment parts. Prices subject to change without notice.



Replaces Toro Groundsmaster 4010-D Parts

Rotary Mower - Model 30603
Front Deck Lift Arms



Item No	R&R Part No.	OEM Part No.	Description	Qty Req	Order Quantity
Tires					
1	R150615	136-4424	Tire - Foam Filled 8-3.5 x 4 Sm 4 Ply	2	
1	R93-9939	93-9939, 98-2877	Tire - 8x3.50-4 (4 Ply) Sm Pneu	2	
2	R137-5529	137-5529, 93-5974, 93-9574	Wheel Assy - Foam Filled 8x3.5-4SM	2	
2	R93-9938	86-0020, 93-9938	Wheel Assy - Castor - Pneu 8x3.50-4	2	
3	R68-8950	68-8950	Tube - Castor Wheel 9x3.50-4 TR87	2	
4	R95-2741	137-5552, 95-2741	Rim - Wheel Half w/o Valve Hole	2	
5	R93-4239	93-4239	Rim - Wheel Half w/Valve Hole	2	
6	R93-4242	93-4242	Plate - Caster Wheel	2	
7	R93-5980	93-4238, 93-5980	Hub Assy - w/o Bearings/Spacer	2	
10	R125-4301	125-4301	Kit - Seal	1	
Rollers					
12	R93-4803	93-4803	Roller - Deck	2	
<i>Tech Note: 30410/20412/30448-2010-2011:</i>					
Other Parts Available					
15	R69-1510	69-1510	Spacer - 1/2 Caster Fork	10	
16	R69-6860	69-6860	Washer - 1/8 - Caster Wheel	4	
17	R69-6470	69-6470	Bushing - Flanged	4	
18	R100-5605-01	100-5605-01	Skid Assy - RH	1	

All original equipment manufacturers names and part numbers are used for identification purposes only, and we are in no way implying that our products are original equipment parts. Prices subject to change without notice.



Replaces Toro Groundsmaster 4010-D Parts

Rotary Mower - Model 30603
Front Deck Lift Arms



Item No	R&R Part No.	OEM Part No.	Description	Qty Req	Order Quantity
<i>Tech Note: 30410/20412/30448-2010-2011:</i>					
19	R104-0762-01	104-0762-01	Caster Fork	2	
20	R104-8301	104-8301, 104-9301, 109-6658, 133-7570	Locknut - 3/8-16 Nylon Flanged	10	
21	R3296-53	3296-53	Locknut - 5/8-11 ESNA Yellow	2	
22	R108-9017	108-9017, 120-3366	Bearing-Stainless	4	
24	R93-4241	93-4241	Spacer - Caster Wheel	2	
25	R92-8861	92-5582, 92-8861	Cap - HOC	2	
26	R92-9726	92-9726	Spring - Compression	2	
27	R92-5583	92-5583	Washer- Cap	2	
28	R92-5581	92-5581	Ring - Retaining	2	
29	R92-9727	92-9727	Cap Assy - HOC	2	
30	R32128-16	32128-16	Locknut - 5/16-24 Flanged Top	8	

All original equipment manufacturers names and part numbers are used for identification purposes only, and we are in no way implying that our products are original equipment parts. Prices subject to change without notice.



Replaces Toro Groundsmaster 4010-D Parts

Rotary Mower - Model 30603
Front Deck Lift Arms



Item No	R&R Part No.	OEM Part No.	Description	Qty Req	Order Quantity
32	R453011	01-166-0100, 01-166-0120, 01-166-0270, 01-166-0500, 01-166-0600, 01-166-0620, 132-4593, 2356-3, 237-12, 24-10-AD, 24-11-AD, 24-11-BD, 24-12-AD, 24-12-BD, 30-9310, 32-8190, 3256-24, 3256-3, 3256-36, 3256-4, 453011, 47-9950, 48-9220, 513458, 7-0052	Washer - Flat 3/8 SAE Y/Zinc	10	
33	R400274	01-178-0626, 112-7161, 3224-11, 400274	Bolt - Hex HD 3/8-16 x 2-1/2 GR5	6	
34	R327-24	327-24	Bolt - Hex HD 5/8-11 x 6	2	
35	R104-8300	104-8300, 104-8300 , 119-4041	Locknut - 5/16-18 Flanged Y/Zinc	3	
38	R105-4549	105-4549	Spacer - Deck Roller	2	
<i>Tech Note: 30410/20412/30448-2010-2011:</i>					
39	R322-29	322-29	Bolt - Hex HD 5/16-18 x 5 GR5	2	
<i>Tech Note: 30410/20412/30448-2010-2011:</i>					
40	R100-5612-01	100-5612-01	Skid Assy - LH	1	

All original equipment manufacturers names and part numbers are used for identification purposes only, and we are in no way implying that our products are original equipment parts. Prices subject to change without notice.



Replaces Toro Groundsmaster 4010-D Parts

Rotary Mower - Model 30603
Front Deck Lift Arms



Item No	R&R Part No.	OEM Part No.	Description	Qty Req	Order Quantity
<i>Tech Note: 30410/20412/30448-2010-2011:</i>					
41	R3231-21	3231-21	Screw - 3/8-16 x 3/4 Carriage	2	
<i>Tech Note: 30410/20412/30448-2010-2011:</i>					
42	R3234-42	3234-42	Bolt - 3/8-16 x 1 Hx HD Fl	3	
43	R3296-39	32127-25, 32128-36, 3290-357, 3296-17, 3296-22, 3296-39, 915663P, 99-7443	Locknut - 3/8-16 Nylon	2	
44	R3296-25	30-3380, 32127-21, 32127-31, 3290-160, 3290-33, 3296-13, 3296-25, 3296-45, 329645	Locknut - 1/2-13 Heavy ESNA	4	
45	R3256-26	01-166-0540, 01-166-0820, 17-2530, 24-13-BD, 30-8570, 3256-26, 356206, 48-9390	Washer - 1/2 in	8	
46	R100-3031	100-3031	Lift Arm Assy - RH	1	
<i>Tech Note: Ser# 313000001-313999999:</i>					
46	R120-8878	120-8878	Lift Arm Assy - RH Center Deck	1	
<i>Tech Note: Ser# 331400001-314999999:</i>					
47	R100-3032	100-3032	Lift Arm Assy - LH	1	

All original equipment manufacturers names and part numbers are used for identification purposes only, and we are in no way implying that our products are original equipment parts. Prices subject to change without notice.



Replaces Toro Groundsmaster 4010-D Parts

Rotary Mower - Model 30603
Front Deck Lift Arms



Item No	R&R Part No.	OEM Part No.	Description	Qty Req	Order Quantity
<i>Tech Note: Ser# 313000001-313999999:</i>					
47	R120-8879	120-8879	Lift Arm Assy - LH Center Deck	1	
<i>Tech Note: Ser# 3314000001-314999999:</i>					
48	R21-3001	21-3001-03	Nut- Jam 1-16 LH	2	
<i>Tech Note: 30410/30412:</i>					
49	R86-8101-01	21-0161, 86-8101, 86-8101-01, 86-8101-03	Ball Joint	2	
50	R302-40	302-13, 302-40	Fitting - Grease	2	
51	R93-4583-01	93-4583, 93-4583-01	Mount - Ball Joint	2	
52	R32136-2	22-18-BJLD, 32136-2, 3221-5	Nut - Slotted Hex HD	2	
53	R3272-12	01-151-0090, 28-19-D, 3272-12	Pin - Cotter 1/8 x 1-1/4	2	
54	R114-8417	114-8417	Locknut - 7/16-14 Nylon Hx Fl	4	
55	R87-7480	87-7480	Washer	8	
56	R3290-467	3290-467	Pin-Hair	2	
57	R283-55	283-55	Clevis Pin - 1/2 x 3	2	
58	R324-19	01-150-1000, 01-178-0728, 324-19	Bolt - Hex HD 7/16-14 x 3 1/2 GR8	4	
59	R95-6231	95-6231	Chain - HOC	2	
60	R104-0108	104-0108	U-Bolt	2	

All original equipment manufacturers names and part numbers are used for identification purposes only, and we are in no way implying that our products are original equipment parts. Prices subject to change without notice.



Replaces Toro Groundsmaster 4010-D Parts

Rotary Mower - Model 30603
Front Deck Lift Arms



Item No	R&R Part No.	OEM Part No.	Description	Qty Req	Order Quantity
61	R443118	01-188-0813, 22-15-AJD, 3217-9	Nut - 1/2-13 Zinc	4	
62	R100-3020	100-3020	Pin Assy	2	
63	R107-4304	100-3016, 107-4304	Cylinder - Center Lift	2	
<i>Tech Note: Ser# 313000001-313999999:</i>					
63	R120-8802	120-8802	Hydraulic Cylinder	2	
<i>Tech Note: Ser# 3314000001-314999999:</i>					
64	R237-22	107-8844, 237-22, 237-78	O-Ring	6	
65	R302-5	21-6010, 302-11, 302-37, 302-47, 302-5, 302-57, 302-58, 302-6, 31-0300, 32-9660, 60-0800, 62-3880, 92-4181	Fitting - Grease	4	
66	R340-77	340-100, 340-77, 95-7889	Hydraulic Fitting	1	
<i>Tech Note: Ser# 313000001-313999999:</i>					
67	R237-42	237-42, 31-4160	O-Ring	5	

All original equipment manufacturers names and part numbers are used for identification purposes only, and we are in no way implying that our products are original equipment parts. Prices subject to change without notice.



Replaces Toro Groundsmaster 4010-D Parts

Rotary Mower - Model 30603
Front Deck Lift Arms



Item No	R&R Part No.	OEM Part No.	Description	Qty Req	Order Quantity
68	R400264	01-150-0180, 01-178-0610, 20-48-AD, 20-48-AGD, 32-9160, 3224-3, 323-29, 323-7, 400264, 908035P	Bolt - Hex HD 3/8-16 x 1-1/4	2	
69	R340-156	340-156	Hydraulic Fitting	1	
70	R237-65	237-65, 237.65	O-Ring	2	
71	R237-81	237-81, 237.81, 327-81	O-Ring	3	
72	R340-8	340-8	Adapter	1	
73	R340-94	340-94	Adapter	1	
74	R100-8091	100-8091	Castor Arm Assy - RH	1	
<i>Tech Note: Ser# 313000001-313999999:</i>					
74	R127-3720	127-3720	Castor Arm Assy - RH	1	
<i>Tech Note: Ser# 314000001-314999999:</i>					
75	R100-8092	100-8092	Castor Arm Assy - LH - Incl Bushings	1	
<i>Tech Note: Ser# 313000001-313999999:</i>					
75	R127-3730	127-3730	Castor Arm Assy - LH - Incl Bushings	1	
<i>Tech Note: Ser# 314000001-314999999:</i>					
76	R104-0015	104-0015, 104-8339	Bushing - Flanged	4	

All original equipment manufacturers names and part numbers are used for identification purposes only, and we are in no way implying that our products are original equipment parts. Prices subject to change without notice.



Replaces Toro Groundsmaster 4010-D Parts

Rotary Mower - Model 30603
Front Deck Lift Arms



Item No	R&R Part No.	OEM Part No.	Description	Qty Req	Order Quantity
77	R400408	01-150-0090, 01-178-0812, 20-87-AD, 20-87-AGD, 20-87-AGF, 3226-2, 325-6, 513376, 513378	Bolt - Hex HD 1/2-13 x 1-1/2	2	
<i>Tech Note: 30410/20412/30448:</i>					
78	R340-9	340-9	Fitting - Straight Connector	1	
79	R104-0746-03	104-0746-03	Bracket - Manifold	1	
<i>Tech Note: 30410/20412/30448:</i>					
80	R3296-49	3296-49	Locknut - 1 in 14	2	
81	R237-58	237-58	O-Ring	1	
82	R700414	302-11, 302-19, 302-4, 32-8170	Zerk - Grease 1/4-28 45 Deg	2	
83	R100-3017	100-3017	Pin - Lift Arm	2	
84	R32121-110	32121-110	Roll Pin - Slotted	2	
85	R460050	01-151-0060, 3272-23, 460050	Pin - Cotter 3/16 x 1-1/4	4	
<i>Tech Note: 30410/20412/30448:</i>					
86	R105-7456	100-5559, 105-7456	Pin - Pivot	2	
<i>Tech Note: 30410/20412/30448:</i>					
87	R32128-23	32128-23, 3218-23, 99-5107	Nut - Lock Hex Flanged 1/2-13	2	

All original equipment manufacturers names and part numbers are used for identification purposes only, and we are in no way implying that our products are original equipment parts. Prices subject to change without notice.



Replaces Toro Groundsmaster 4010-D Parts

Rotary Mower - Model 30603
Front Deck Lift Arms



Item No	R&R Part No.	OEM Part No.	Description	Qty Req	Order Quantity
<i>Tech Note: 30410/20412/30448:</i>					
88	R340-2	340-2, 60-1920	Hydraulic Fitting - Striaight	3	
<i>Tech Note: 30410/20412/30448:</i>					
89	R323016	302-33, 323016	1/8"-NPT 90 Degree Grease Fitting	2	
<i>Tech Note: 30410/20412/30448:</i>					
90	R100-5663-03	100-5663-03	Cover - LH Front	1	
91	R100-5660-03	100-5660-03	Cover - Center Front	1	
92	R74-5950	249-48, 74-5950	Latch - Swell	10	

All original equipment manufacturers names and part numbers are used for identification purposes only, and we are in no way implying that our products are original equipment parts. Prices subject to change without notice.